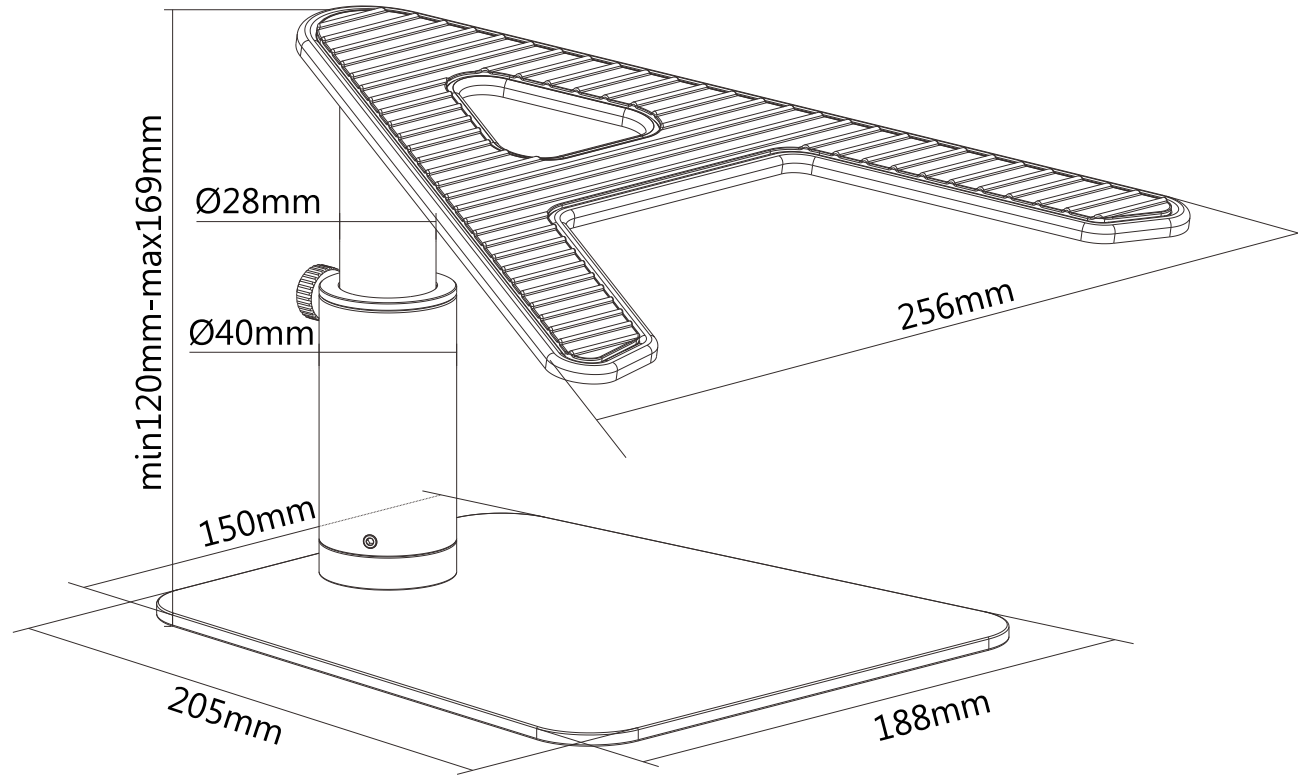


Rev.	Rev. Date	Modified By	Brief Description



	(x1)
	(x6)
	(x1)
	(x1)

• All of materials satisfy the CA65, ROHS...



GENERAL TOLERANCE		APPROVED BY & DATE :	DESCRIPTION :					
0-6	±0.05	CHECKED BY & DATE :	Universal Laptop Riser Stand					
6-18	±0.07		ITEM NO. :	6429				
18-50	±0.10	DESIGNED BY & DATE :	DATE :	REV. :	UNIT :	SHEET :	SCALE :	
50-120	±0.15		2017/01/10	A01	MM	1 OF 2	1:1	

NO.	PART NAME	SPECIFICATION DESCRIPTION	QTY	UNIT
③				
②				
①	16249	Universal Laptop Riser Stand		