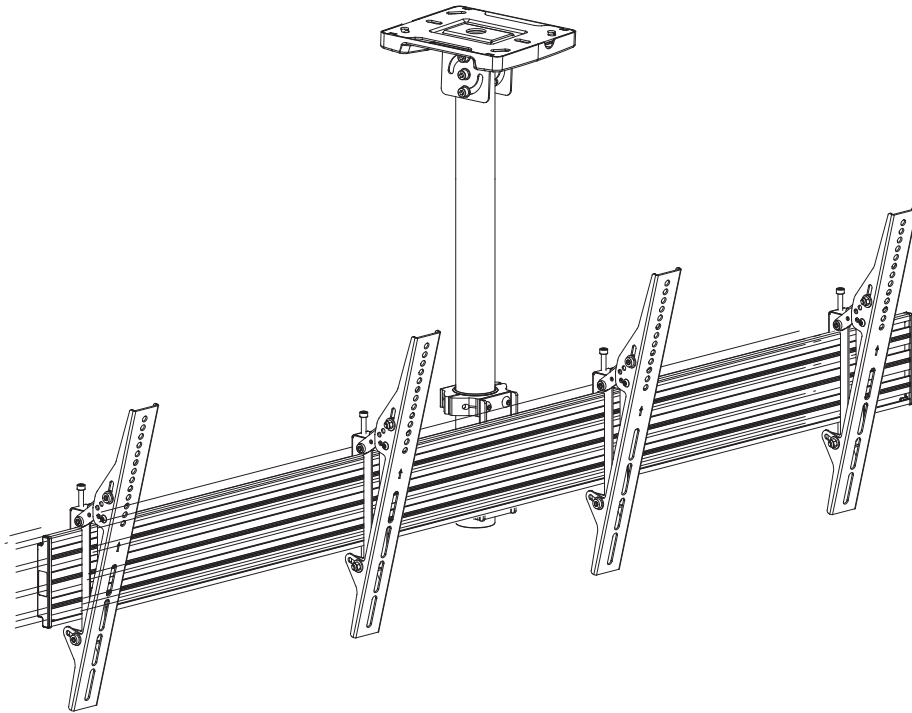


Commercial Series

2x1 Menu Board Ceiling Mount for Displays between 32in to 65in , VESA Patterns up to 600x400



P/N 39662 Installation Guide

SAFETY GUIDELINES

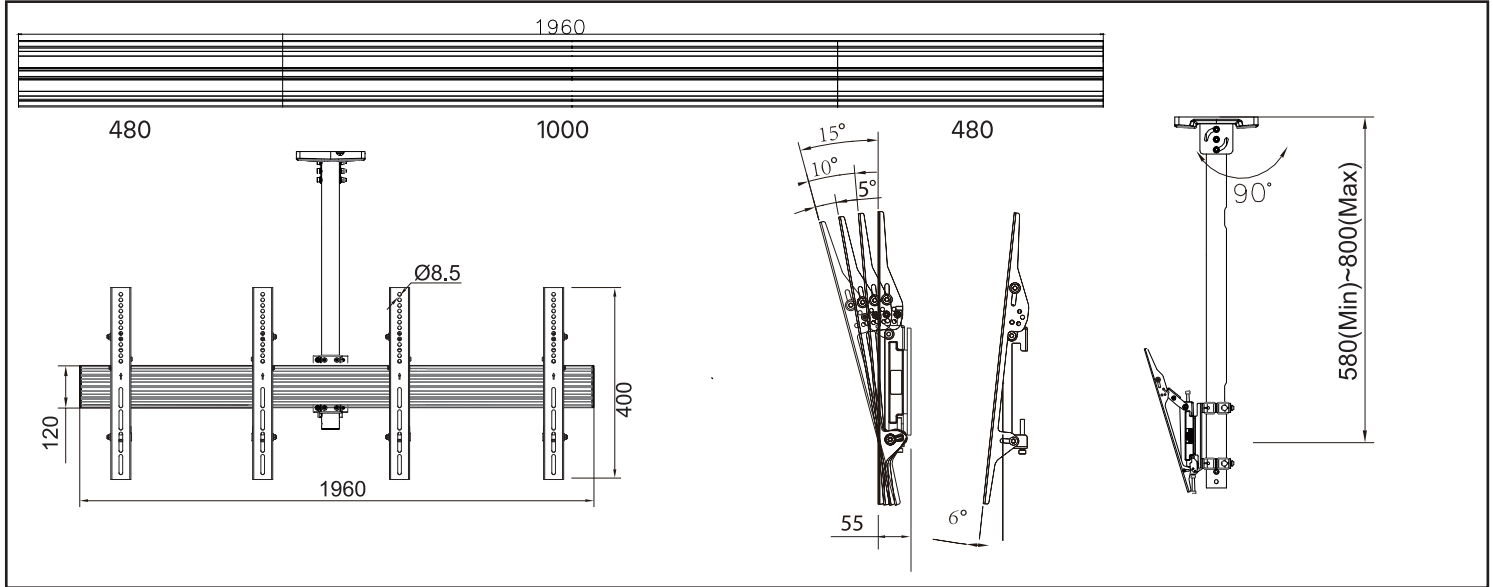
Please read this entire manual before using this device, paying extra attention to these safety warnings and guidelines. Please keep this manual in a safe place for future reference.

- Do not exceed the rated weight limit. Doing so can cause the mount to fail, resulting in equipment damage and/or severe personal injury.
- Ensure that the structure to which this mount will be installed is capable of supporting at least four times the total weight of the mount and any connected displays.
- Use the supplied mounting screws. Tighten the screws using the appropriate tool, but take care not to over-tighten them.
- This device is intended for indoor use only.
- This device contains small parts that could pose a choking hazard to small children. Keep this device and its spare parts out of reach of children.
- Inspect the installation at least once every three months to ensure that it is secure and safe to use.
- Please take an inventory of the package contents to ensure you have all the items shown in the Parts List. If anything is missing or damaged, please contact Monoprice Customer Service for a replacement.

CUSTOMER SERVICE





The Monoprice Customer Service department is dedicated to ensuring that your ordering, purchasing, and delivery experience is second to none. If you have any problem with your order, please give us an opportunity to make it right. You can contact a Monoprice Customer Service representative through the Live Chat link on our website www.monoprice.com or via email at support@monoprice.com. Check the website for support times and links

PRODUCT DIMENSIONS









PACKAGE CONTENTS

Packet 1

M5X15  X4 A1	M6X15  X4 A2	M8X15  X4 A3	Ø16XØ6.2X1.5  X4 A4
---	--	--	---


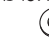




X2

Packet 2

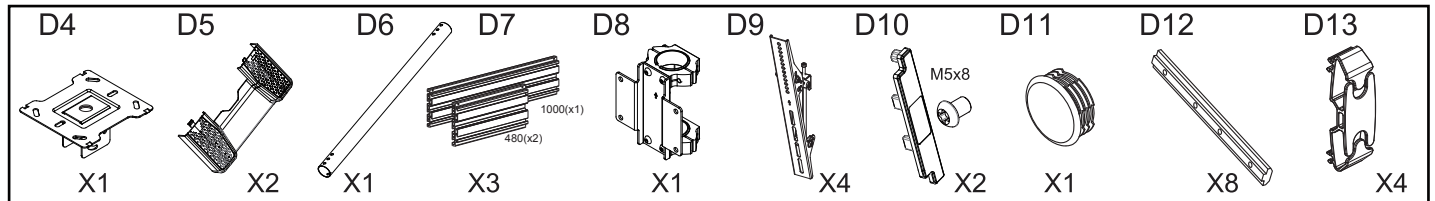
M8X12  X4 B1	Ø16XØ8.2X1.5  X4 B2	3mm  X1 B3	Open-wrench  X1 B4	5mm/6mm  X1 B5	M8  X4 B6
--	---	--	---	--	---

X1

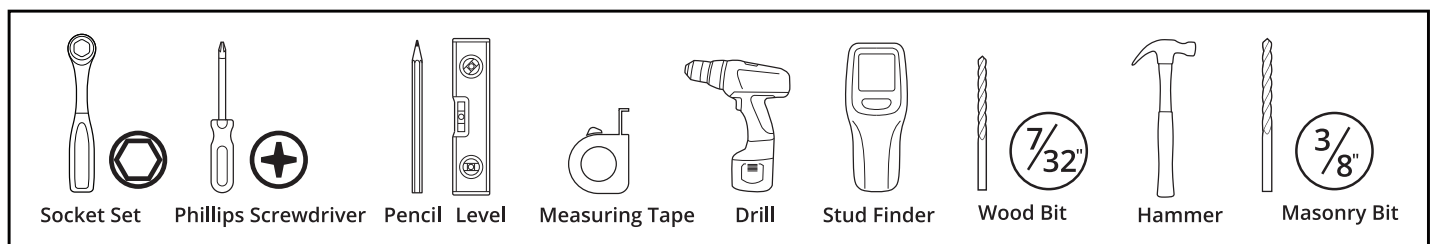
Packet 3

M8X70  X3 C1	Ø16XØ8.2X1.5  X12 C2	M8X60  X1 C3	M8  X4 C4	Lag bolt  X6 C5	Anchor  X6 C6
---	--	--	---	---	---

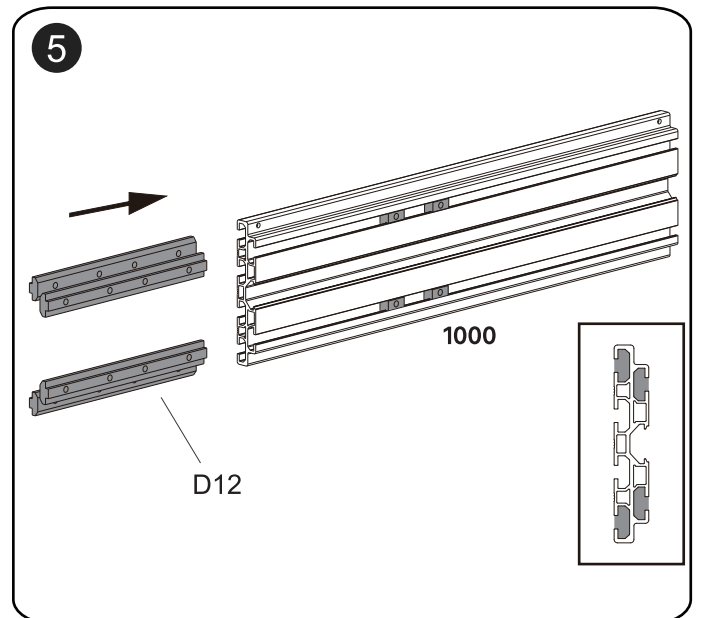
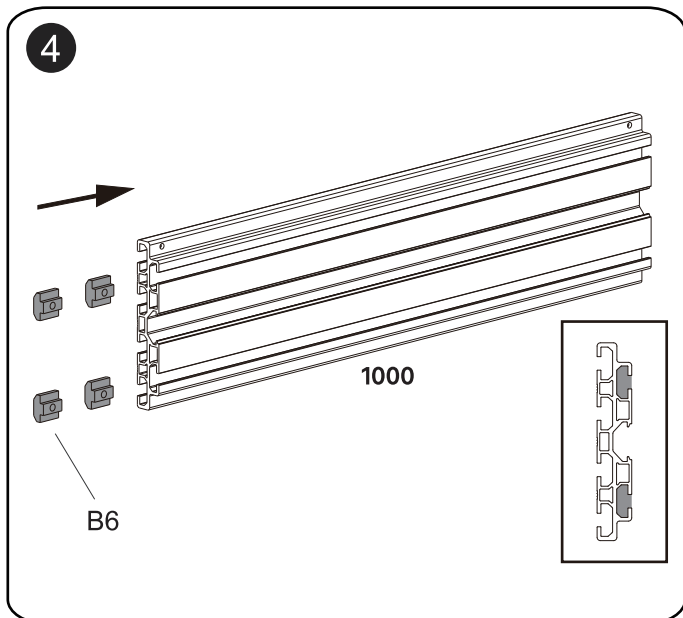
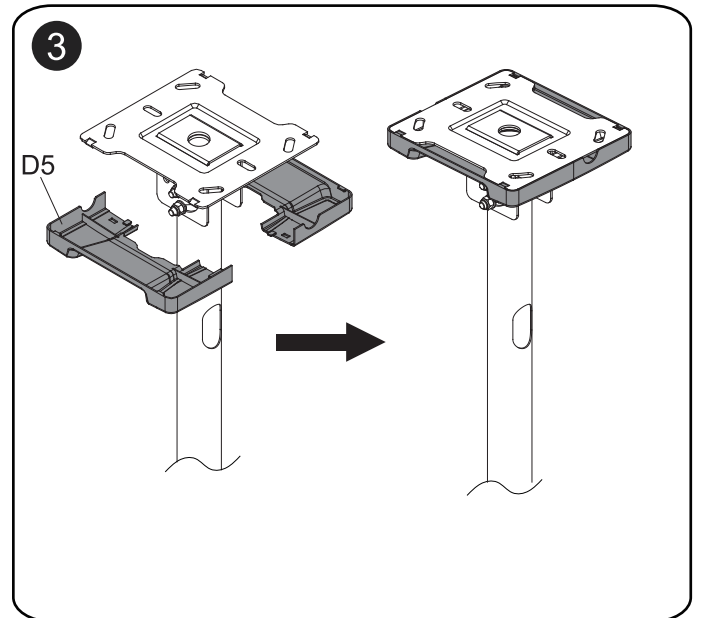
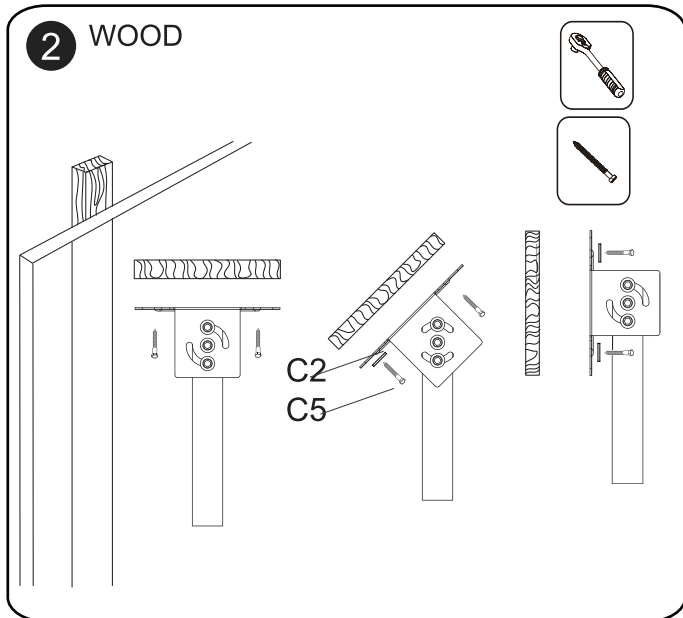
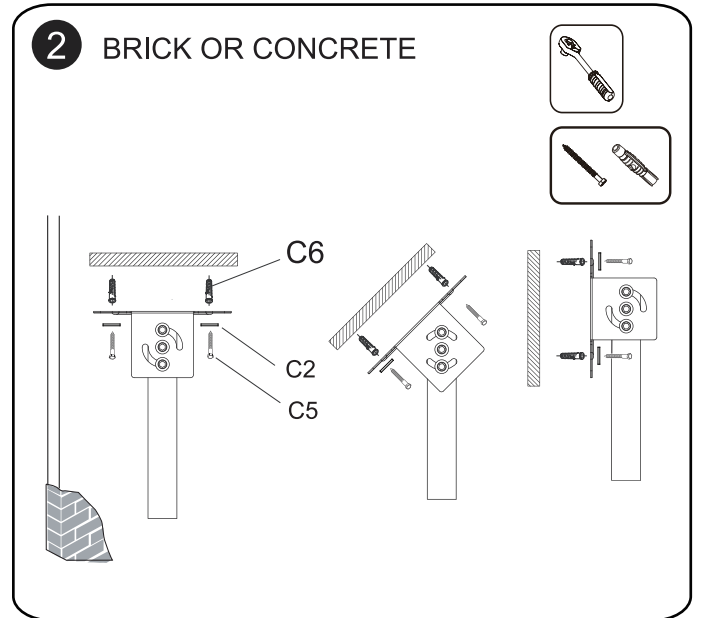
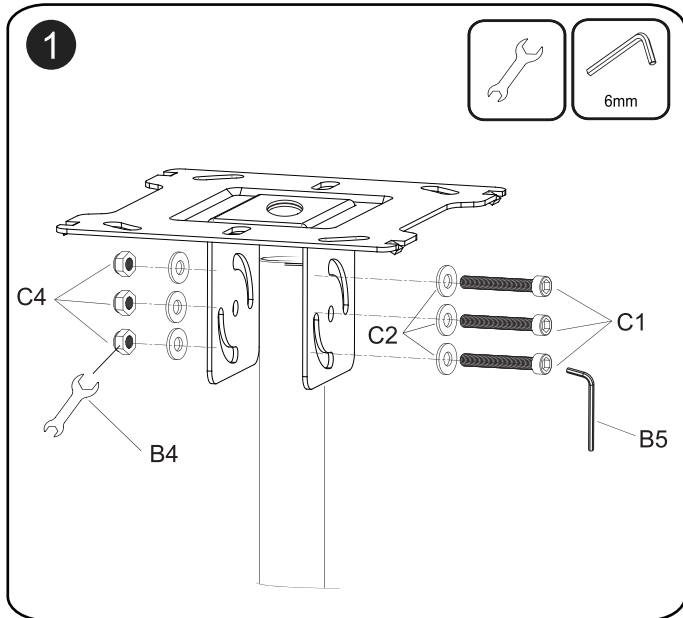
X1

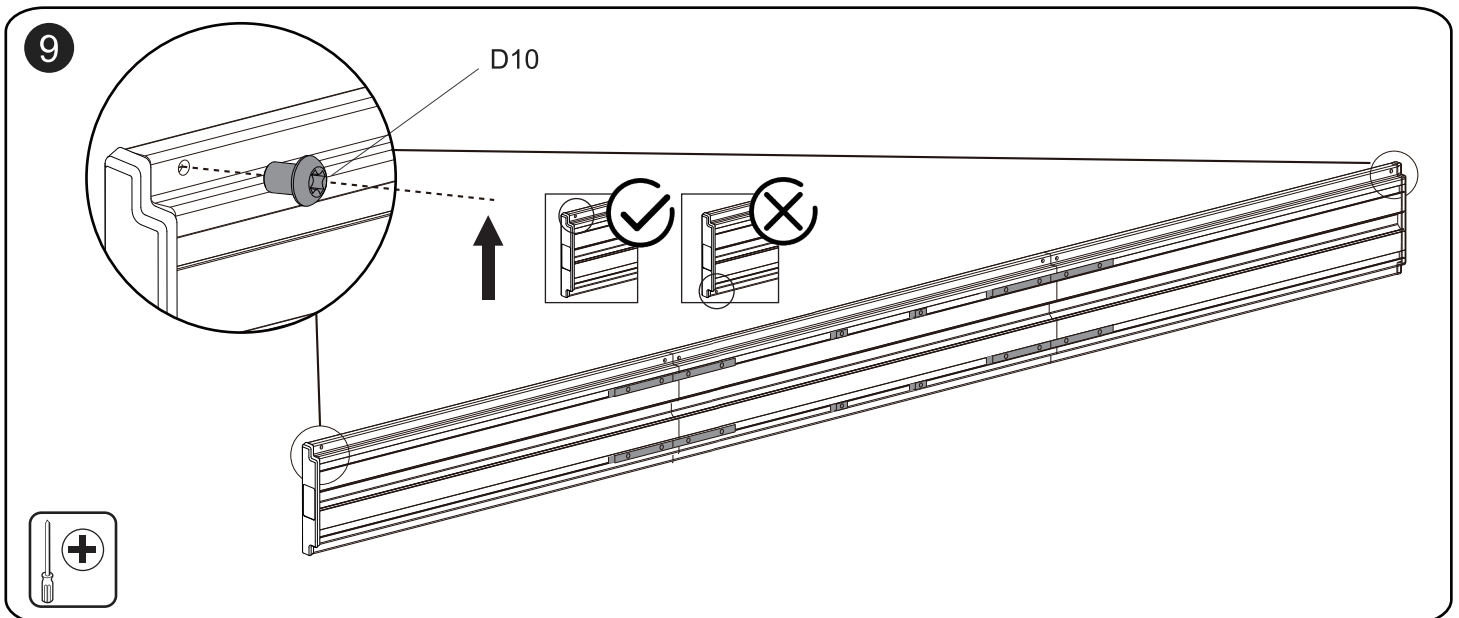
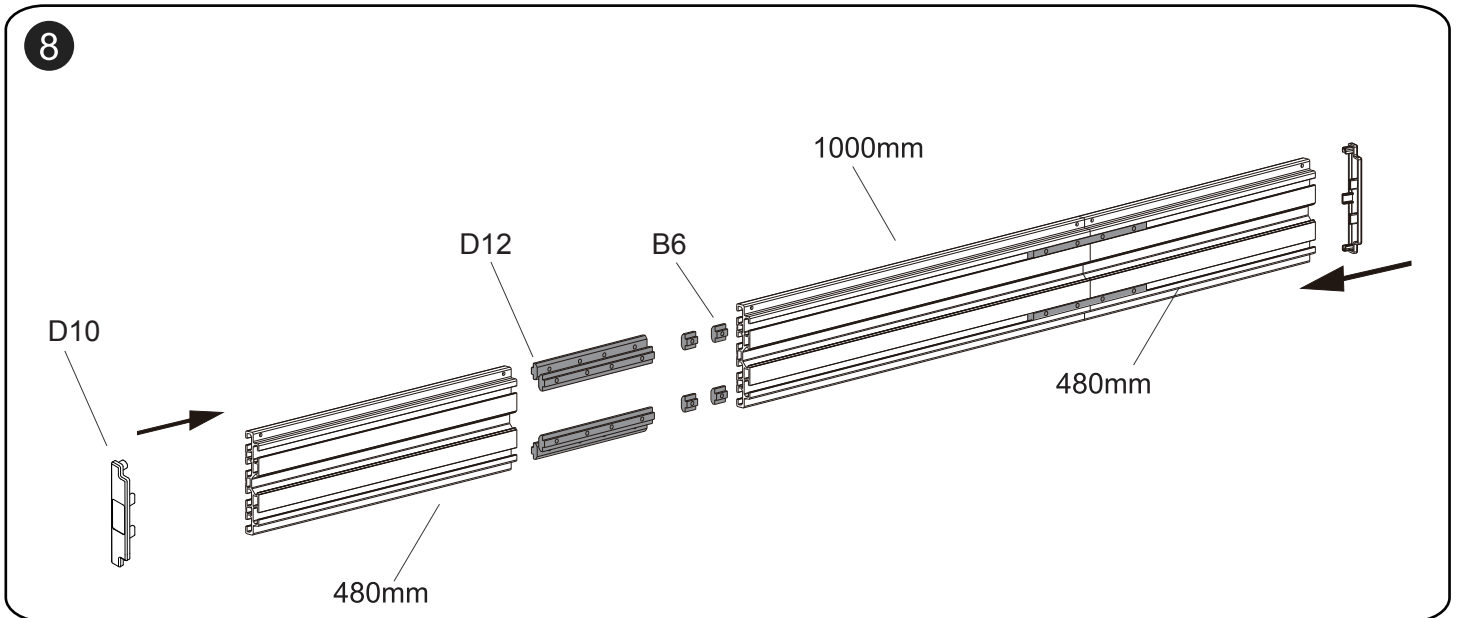
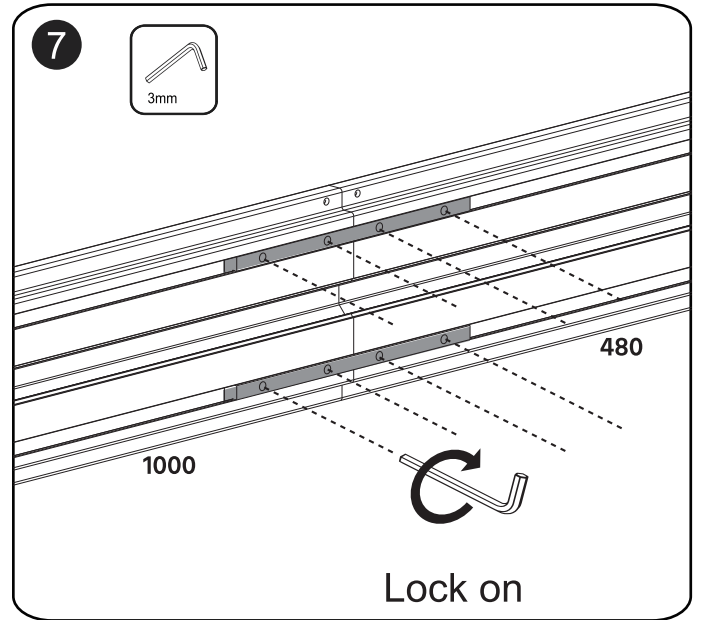
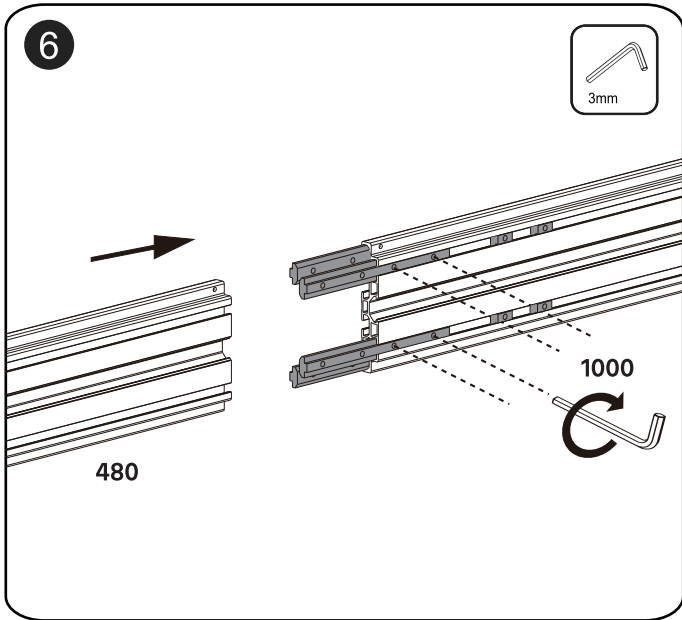


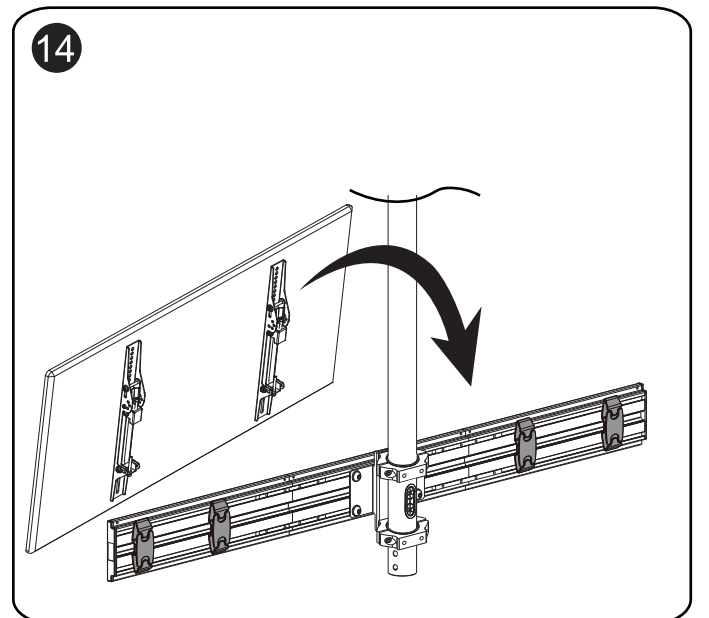
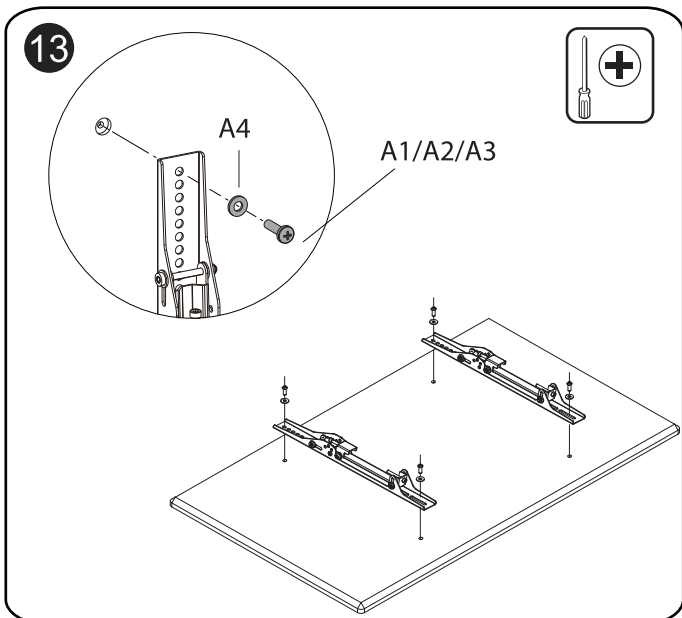
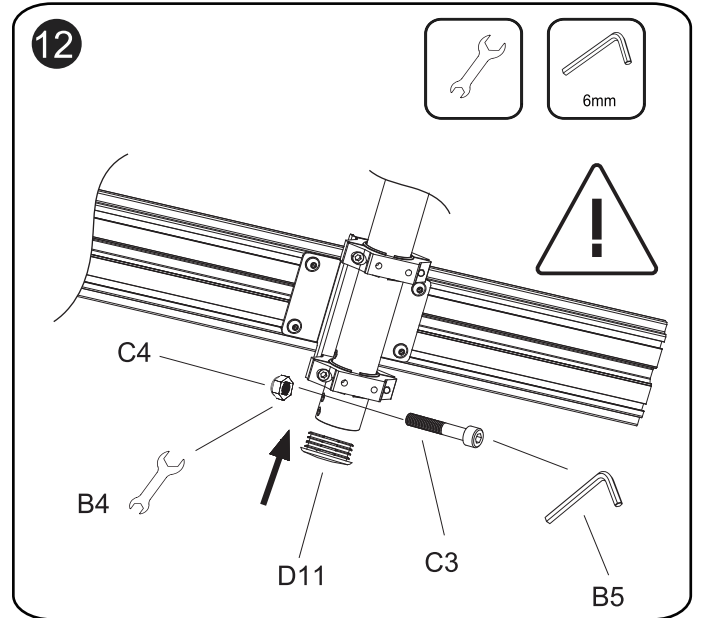
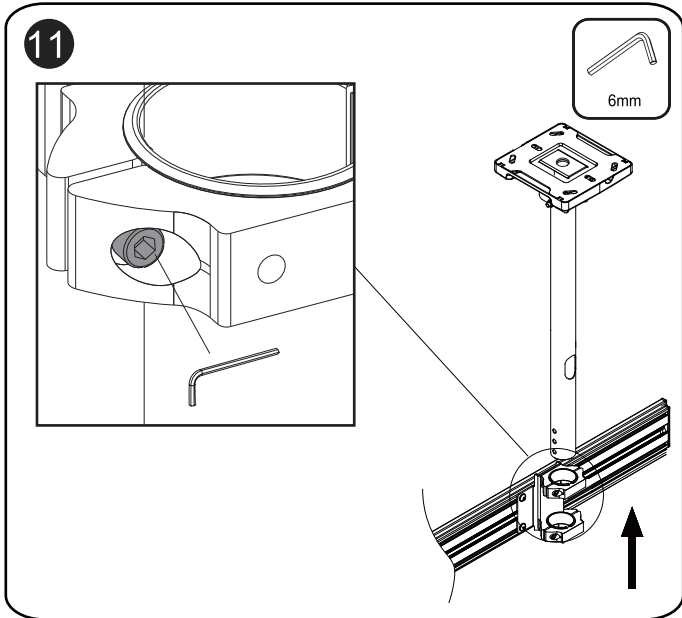
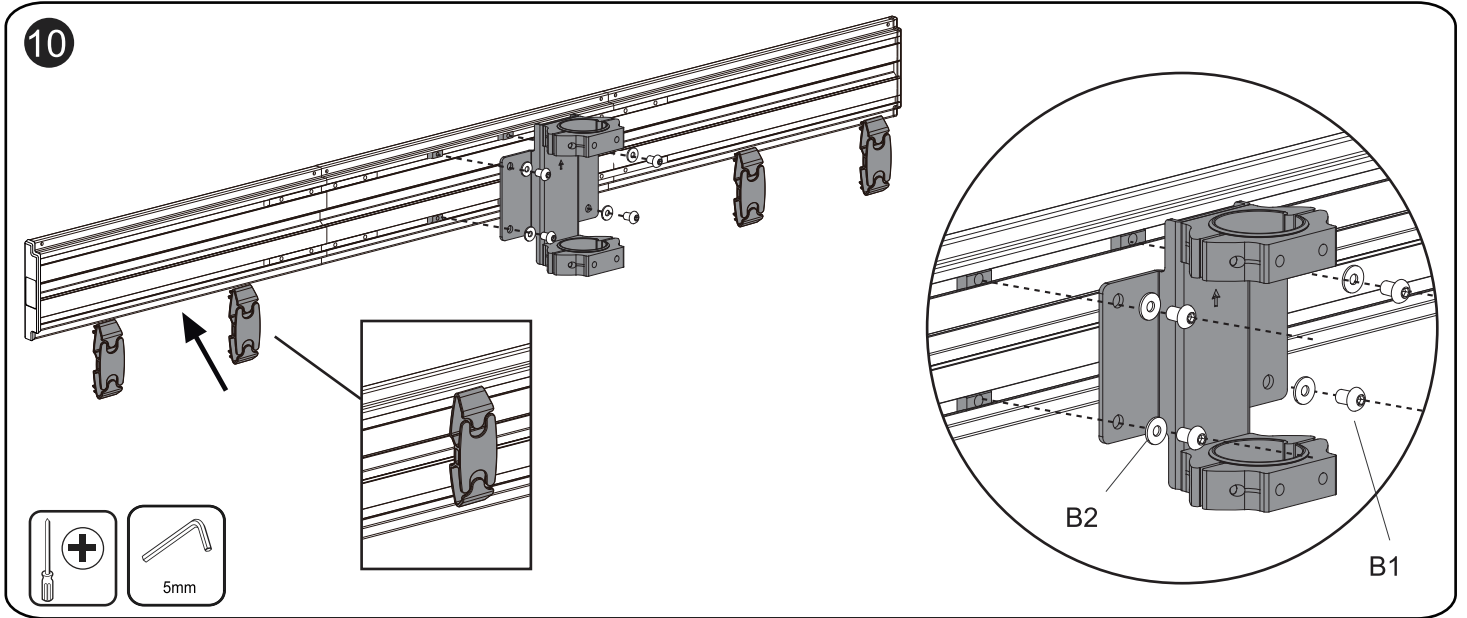
REQUIRED TOOLS



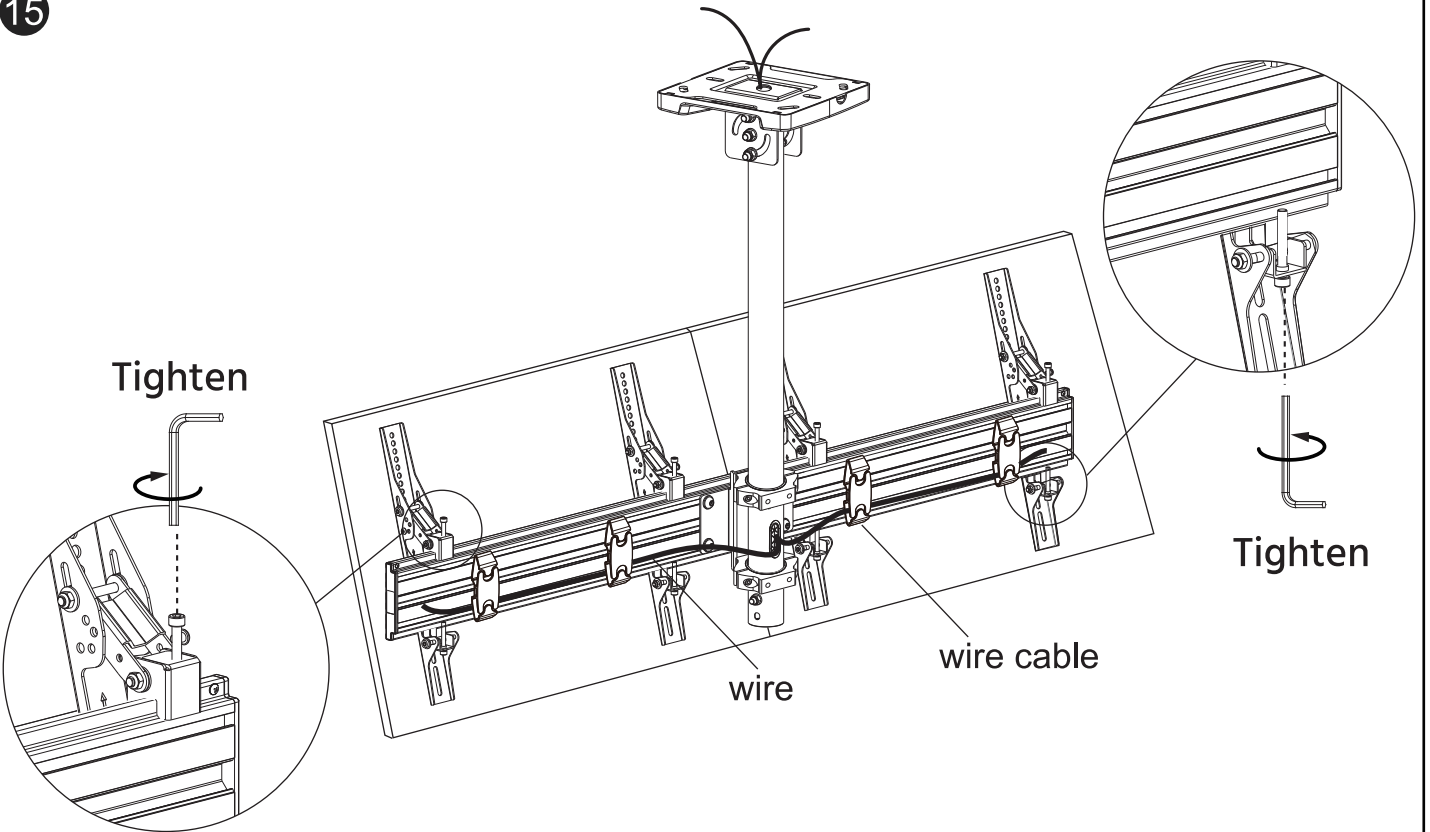
Installation







15



16

