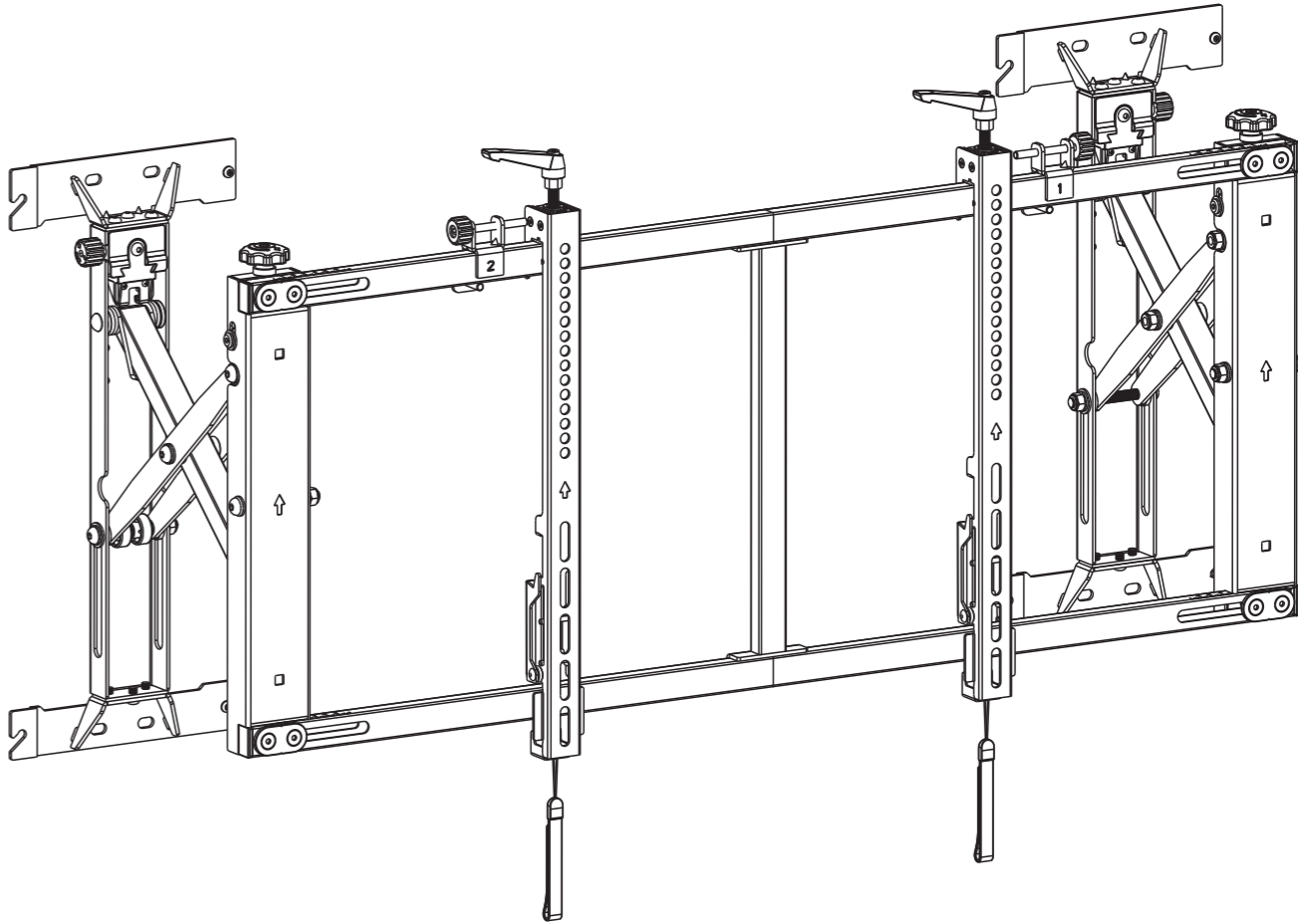


Installation Guide Commercial Series

TV Mount & Stand with Shelf for Displays 37in to 70in,
Max Weight 88lbs
VESA Patterns up to 600x400



P/N 39660



200x200/300x200
300x300/400x200
400x300/400x400
600x400/800x400



rated
70kg/154lbs

SAFETY GUIDELINES

Please read this entire manual before using this device, paying extra attention to these safety warnings and guidelines. Please keep this manual in a safe place for future reference.

- Do not exceed the rated weight limit. Doing so can cause the mount to fail, resulting in equipment damage and/or severe personal injury.
- Ensure that the structure to which this mount will be installed is capable of supporting at least four times the total weight of the mount and any connected displays.
- Use the supplied mounting screws. Tighten the screws using the appropriate tool, but take care not to over-tighten them.
- This device is intended for indoor use only.
- This device contains small parts that could pose a choking hazard to small children. Keep this device and its spare parts out of reach of children.
- Inspect the installation at least once every three months to ensure that it is secure and safe to use.
- Please take an inventory of the package contents to ensure you have all the items shown in the Parts List. If anything is missing or damaged, please contact Monoprice Customer Service for a replacement.

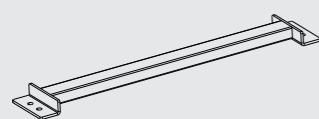
CUSTOMER SERVICE

The Monoprice Customer Service department is dedicated to ensuring that your ordering, purchasing, and delivery experience is second to none. If you have any problem with your order, please give us an opportunity to make it right. You can contact a Monoprice Customer Service representative through the Live Chat link on our website www.monoprice.com or via email at support@monoprice.com. Check the website for support times and links

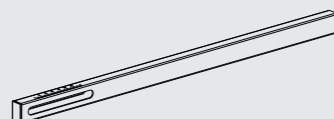
Required for Installation



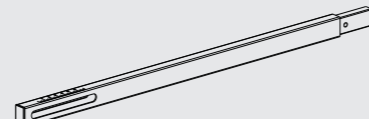
Component Checklist



column (x1)
A

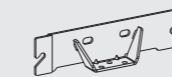


right mounting bar (x2)
B

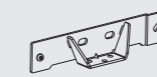


left mounting bar (x2)
C

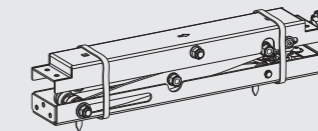
Component Checklist



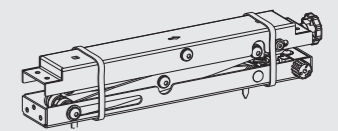
mounting feet (x2)
D



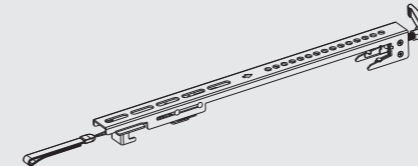
mounting feet (x2)
E



pop-out arm (x1)
F



pop-out arm (x1)
G



TV bracket (x2)
H



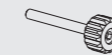
adjustment knob (x1)
I



adjustment knob (x1)
J



fix piece (x4)
K



safety screws (x4)
L



M (x16)



N (x8)



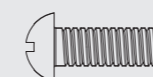
4mm Allen Key (x1)
O



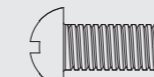
5mm Allen Key (x1)
P

IMPORTANT: Ensure that you have received all parts according to the component checklist prior to installation. If any parts are missing or faulty, telephone your local distributor for a replacement.

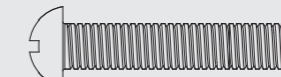
Package M



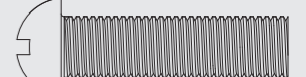
M5x14 (x4)
M-A



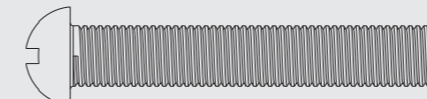
M6x14 (x4)
M-B



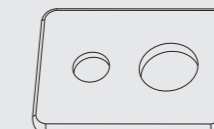
M6x30 (x4)
M-C



M8x30 (x4)
M-D



M8x50 (x4)
M-E



washers (x4)
M-F

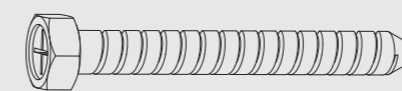


small spacers (x8)
M-G

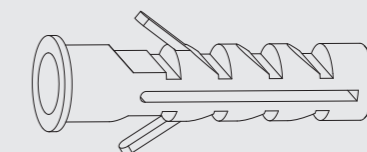


big spacers (x8)
M-H

Package W



ST6.3x55 (x8)
W-A

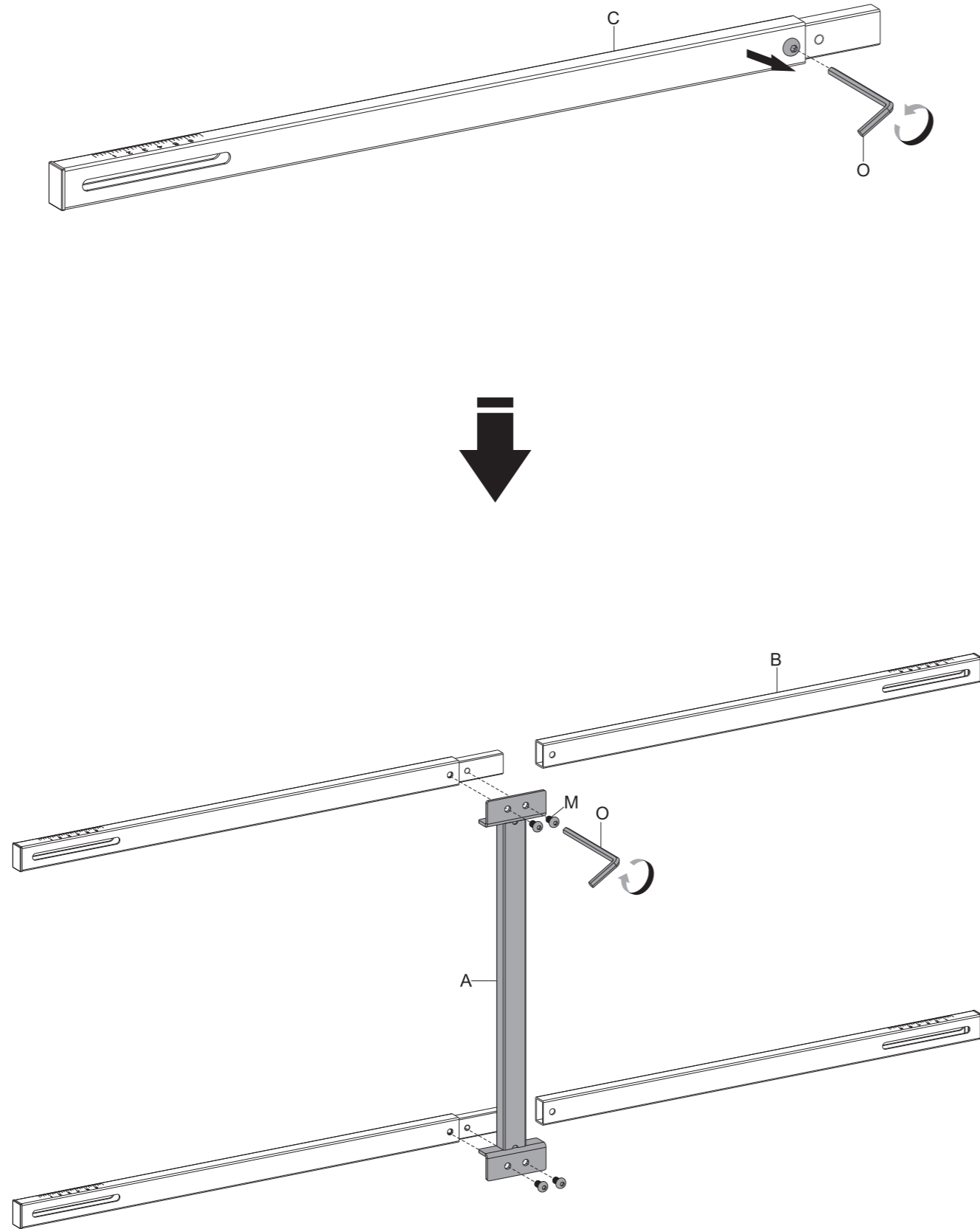
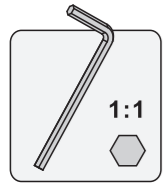


concrete anchors (x8)
W-B

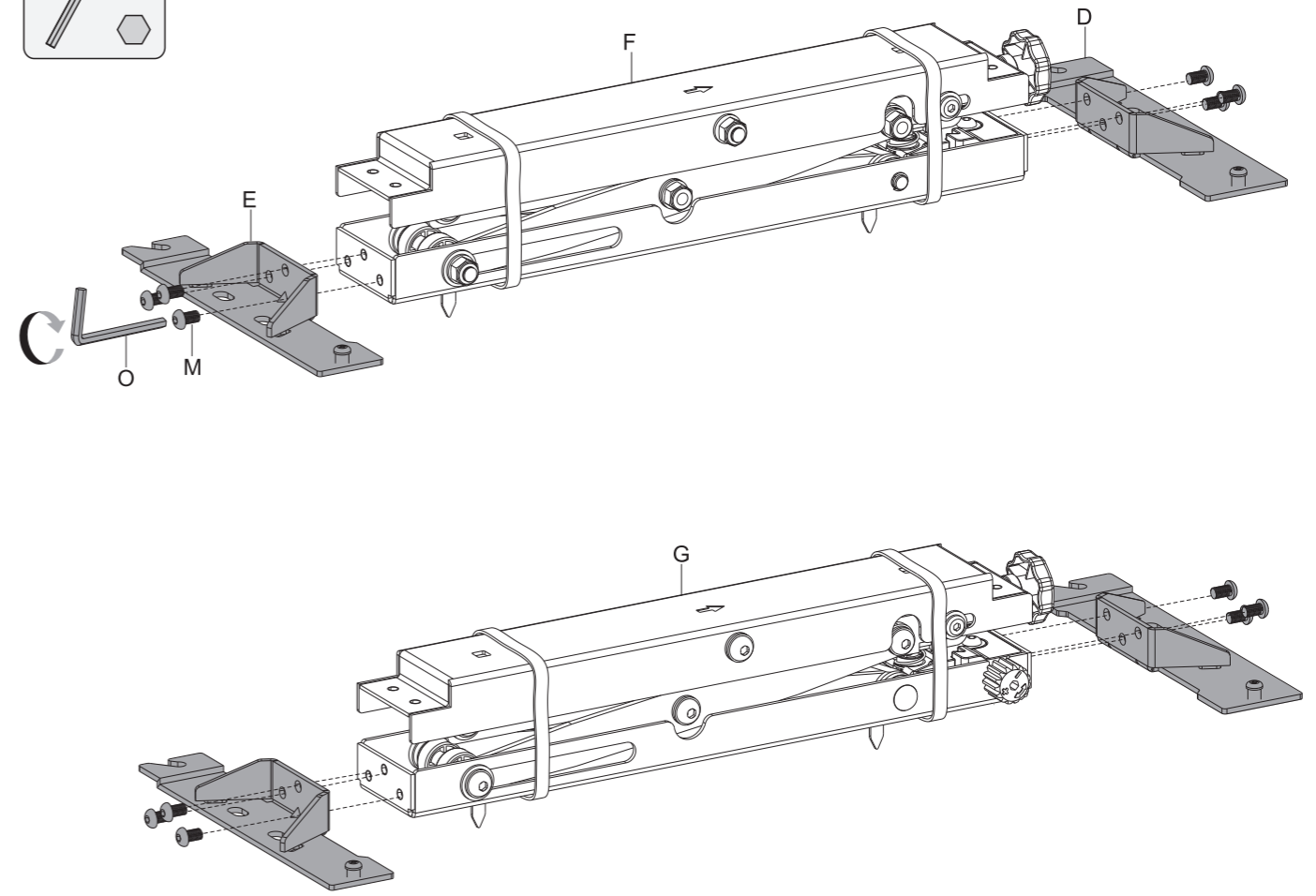
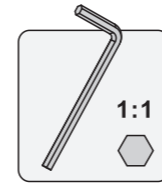


D6 washers (x8)
W-C

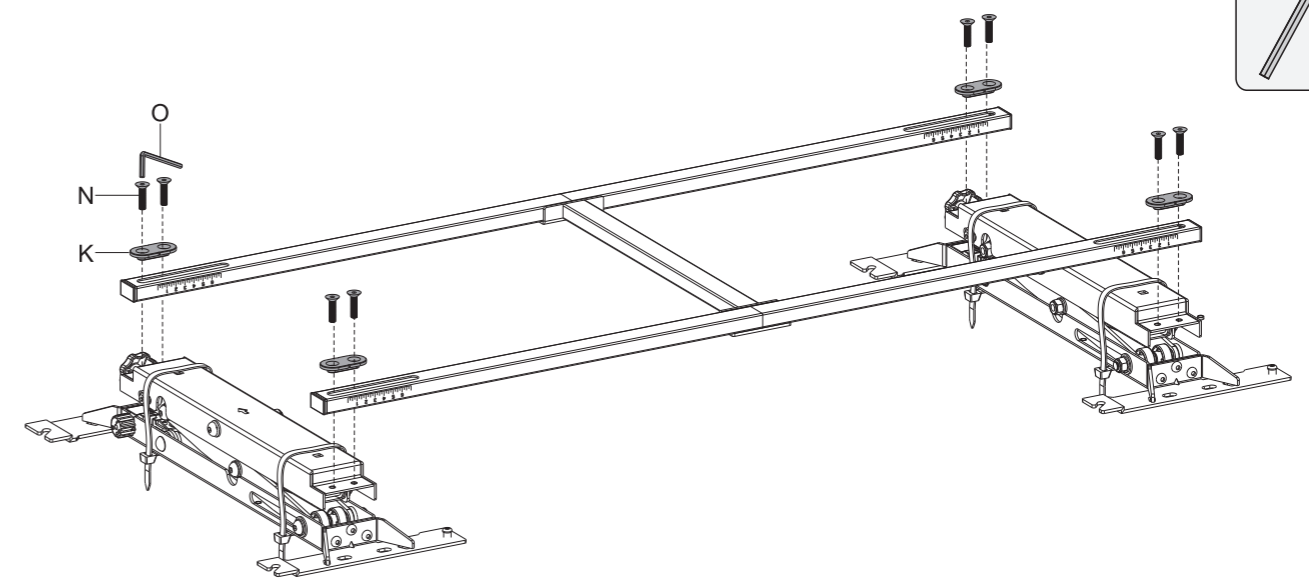
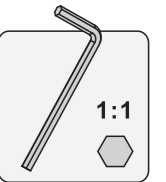
1. Assemble TV Frame



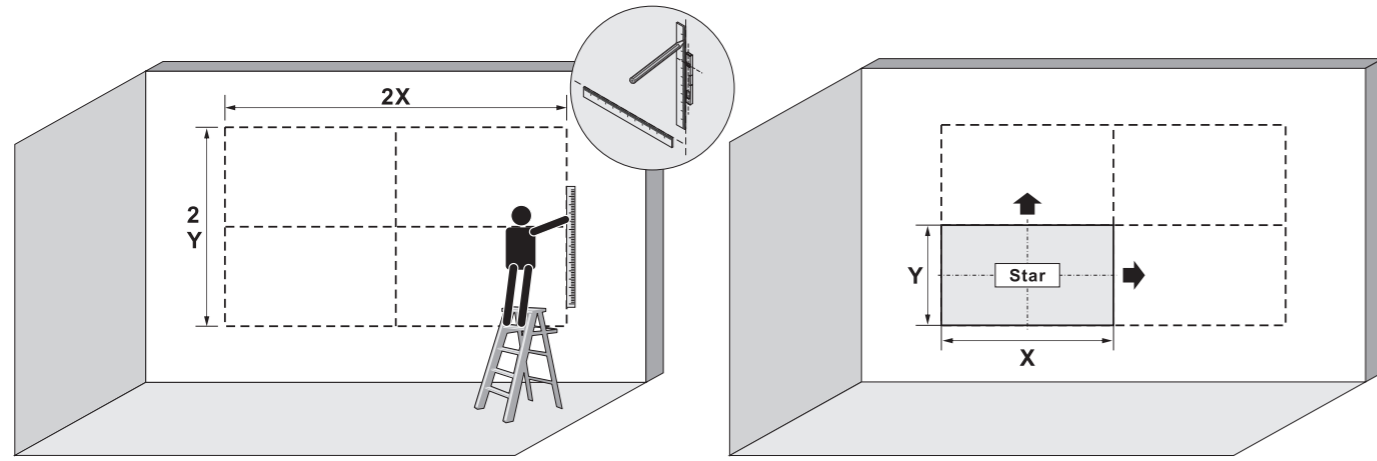
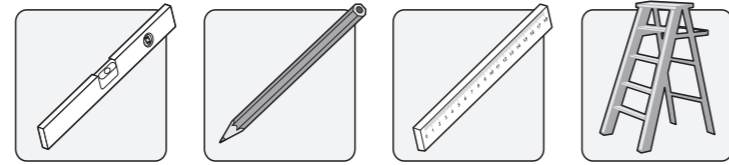
2. Install Mounting Feet



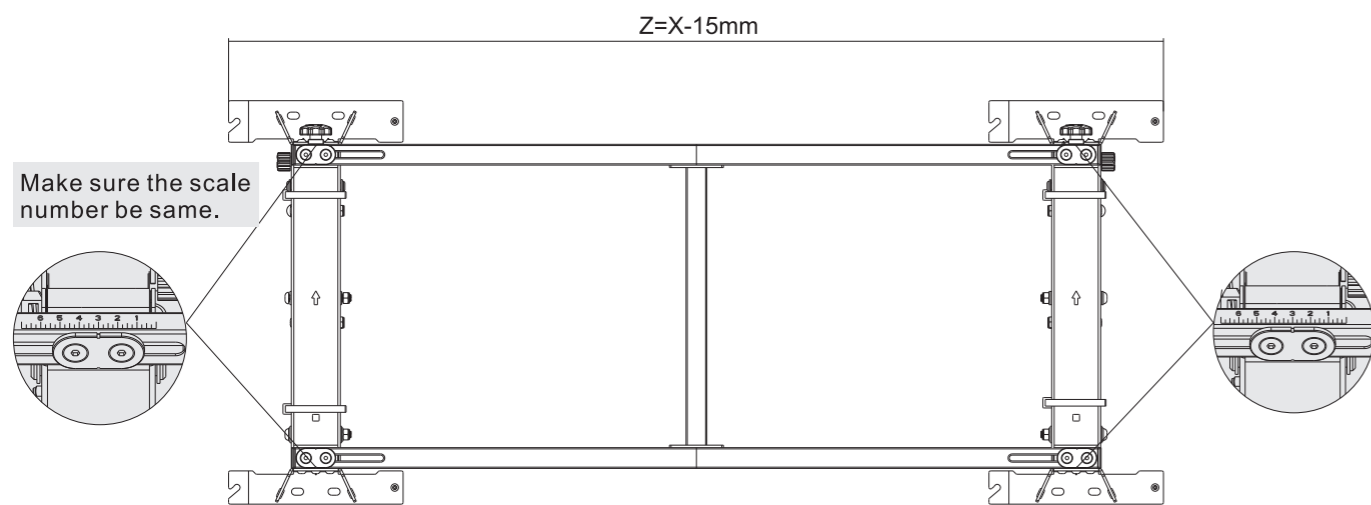
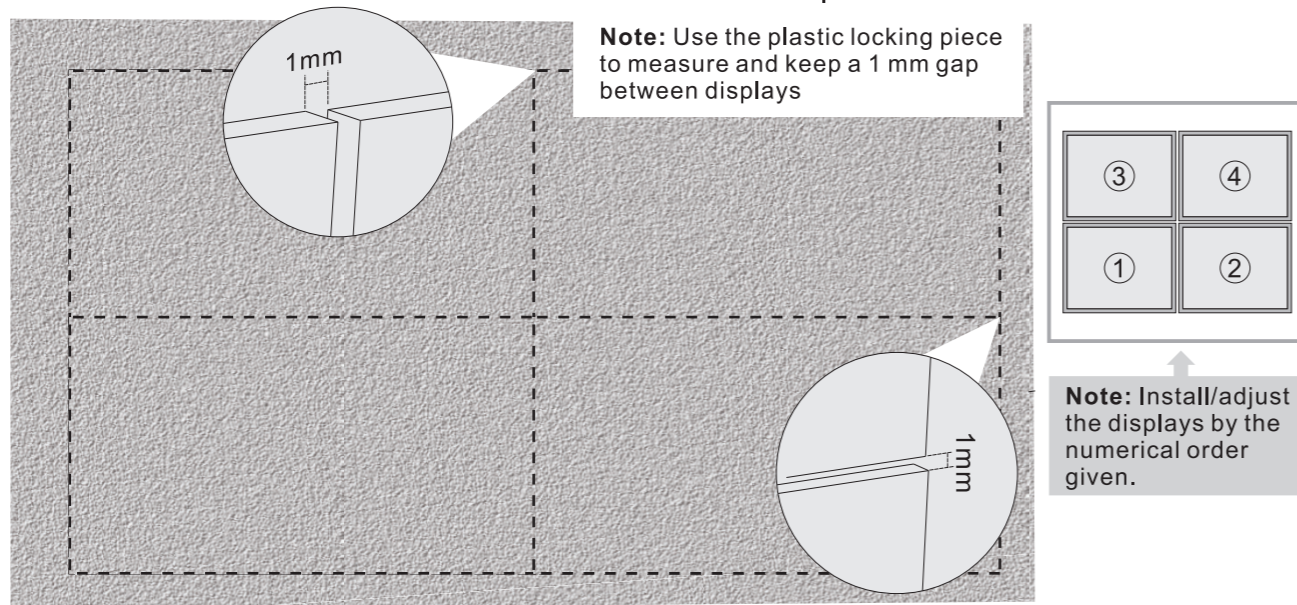
3. Assemble the Wall Plate



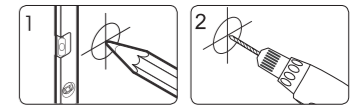
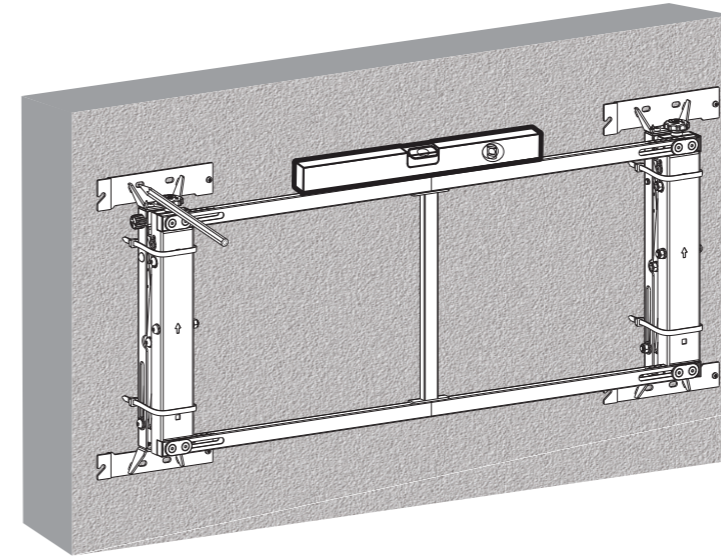
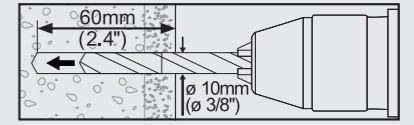
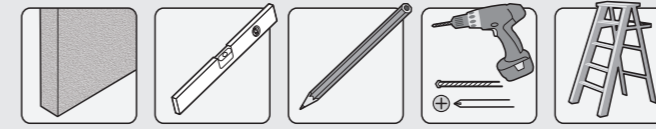
4. Video Wall Installation



X=Length of display Y=Height of display

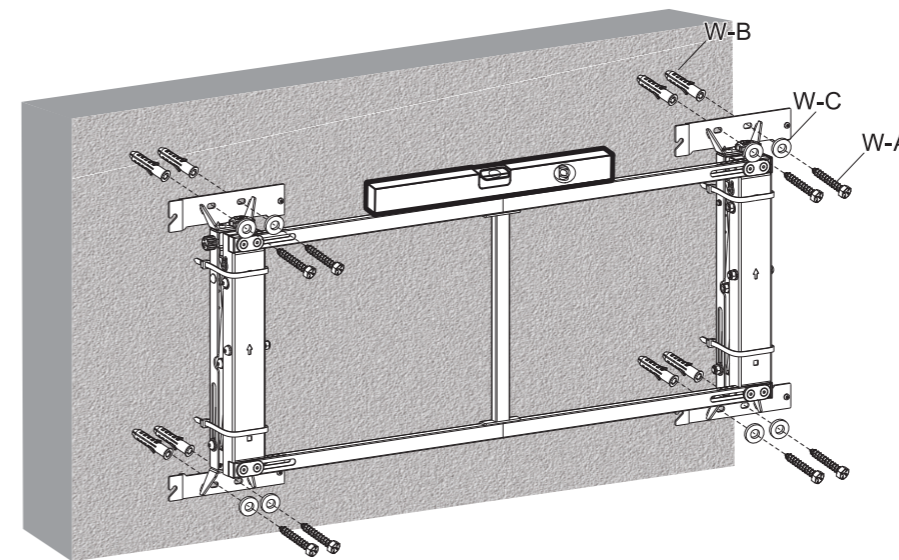
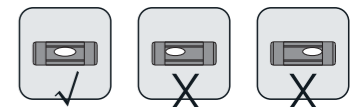


5. For Solid Brick and Concrete Wall Mounting

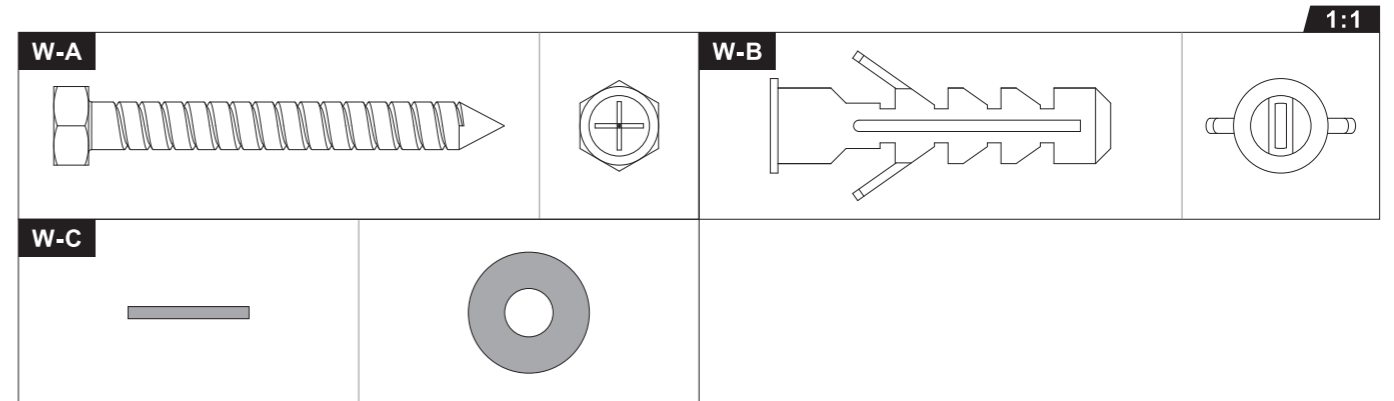


Mark the exact location of mounting holes

Drill pilot holes



Screw the wall plate onto the wall

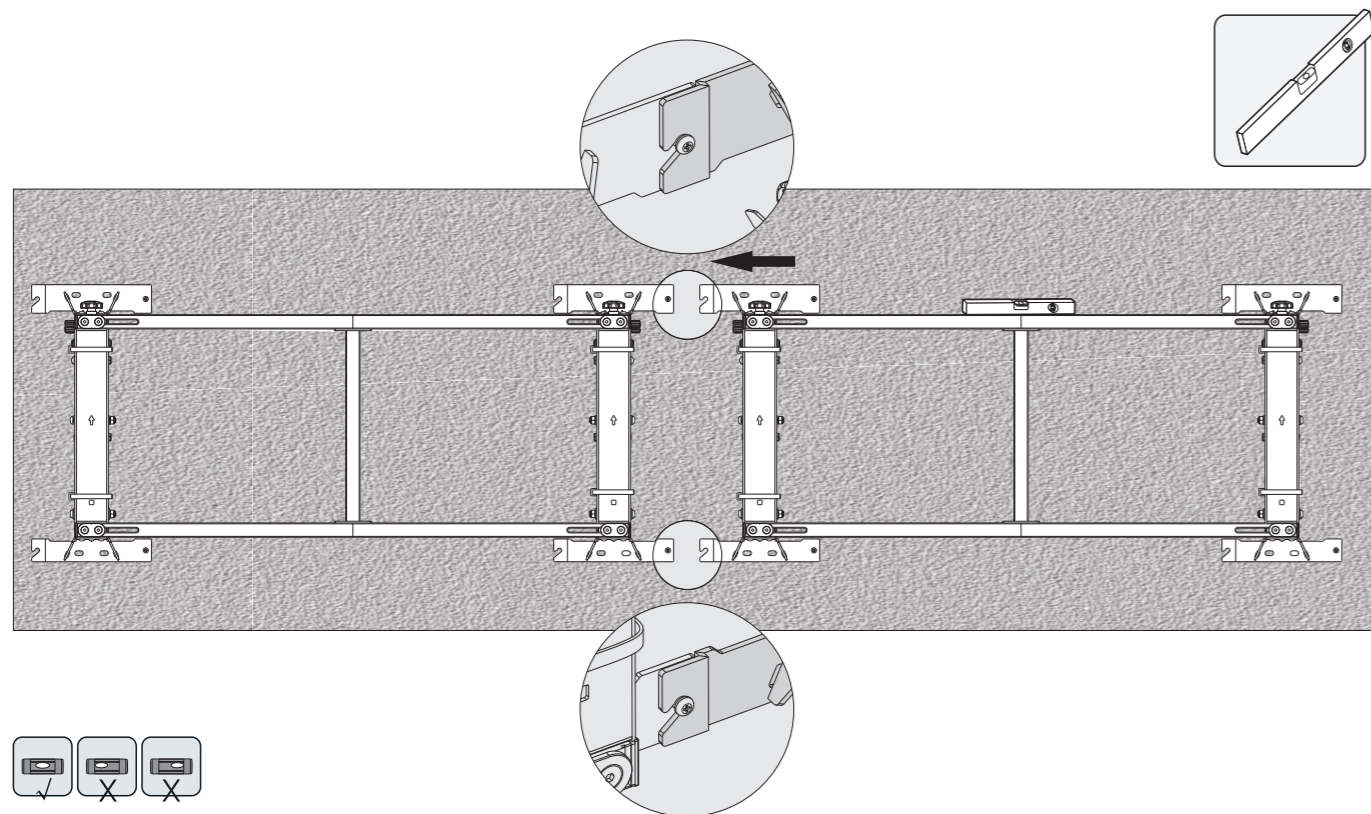


1:1

! WARNING

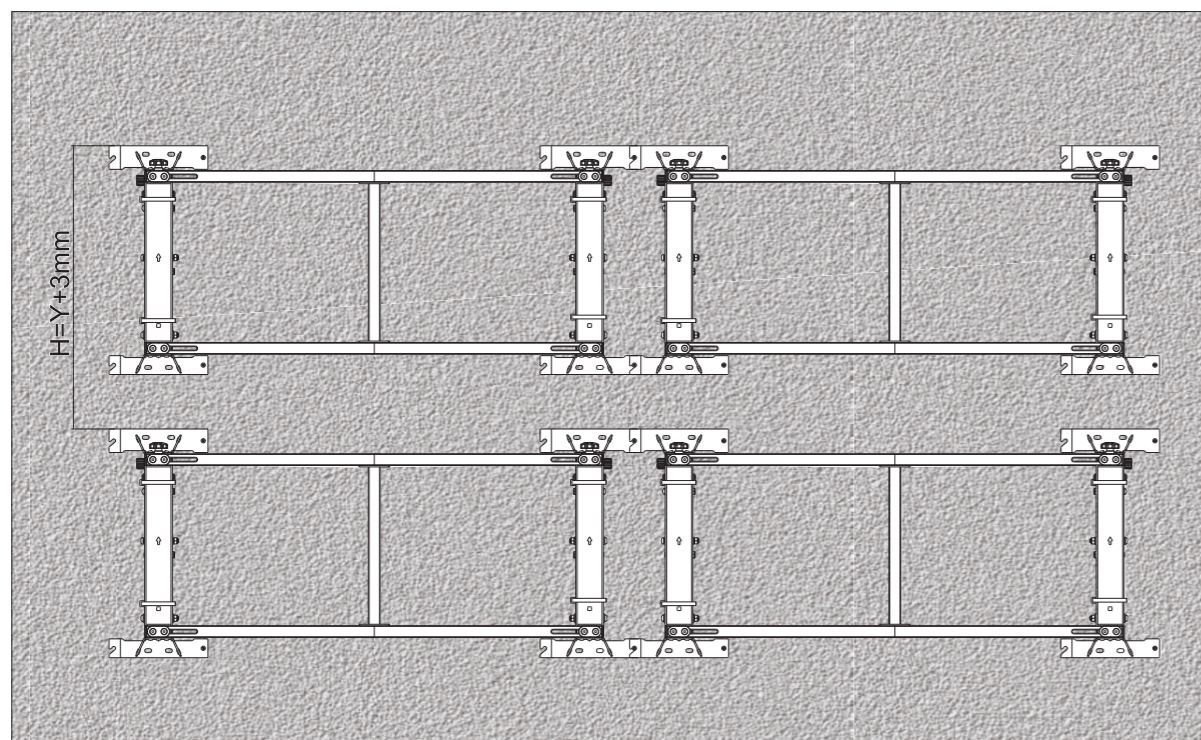
Installers must verify that the supporting surface will safely support the combined weight of the equipment and all attached hardware and components.

6. Connect Mounts By the Mounting Feet Slot



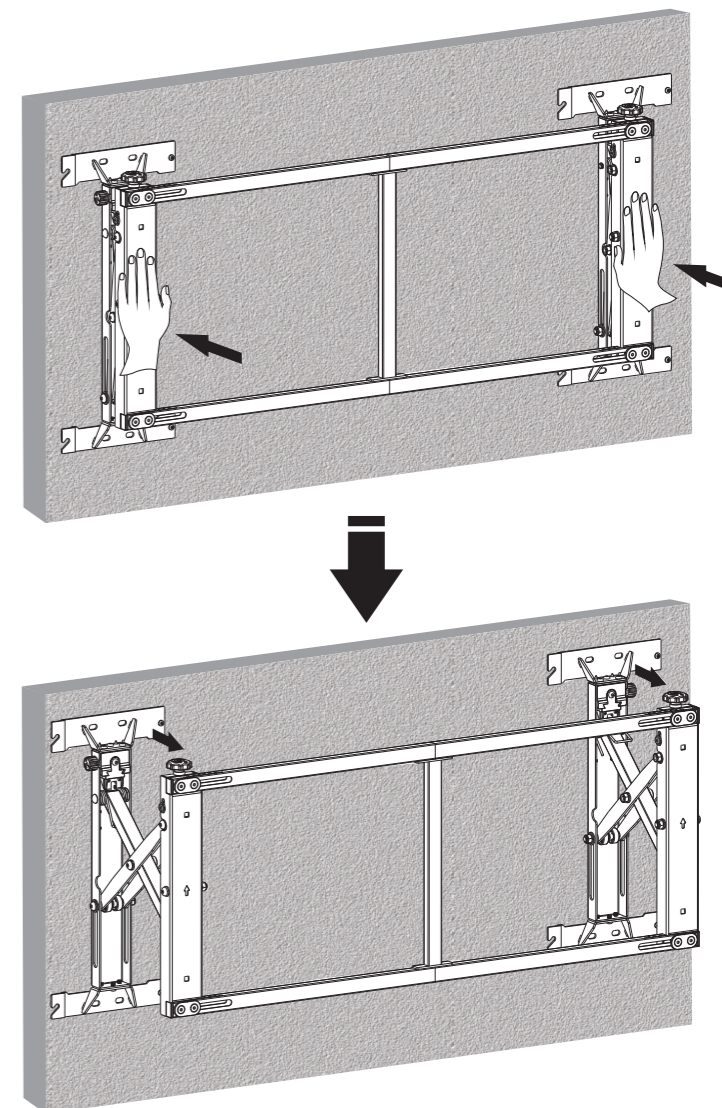
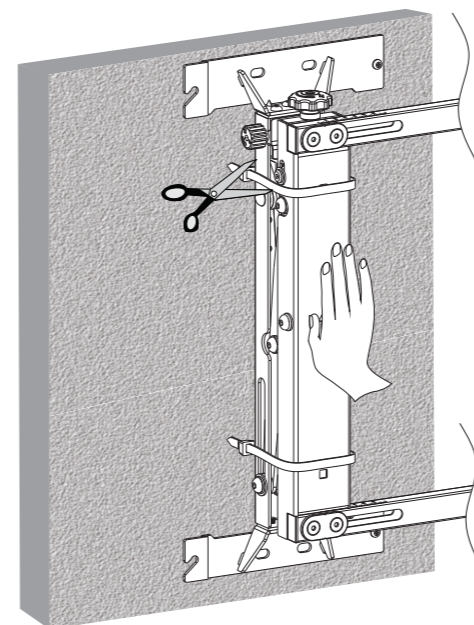
Y= TV height

H= Distance between upper and lower mount

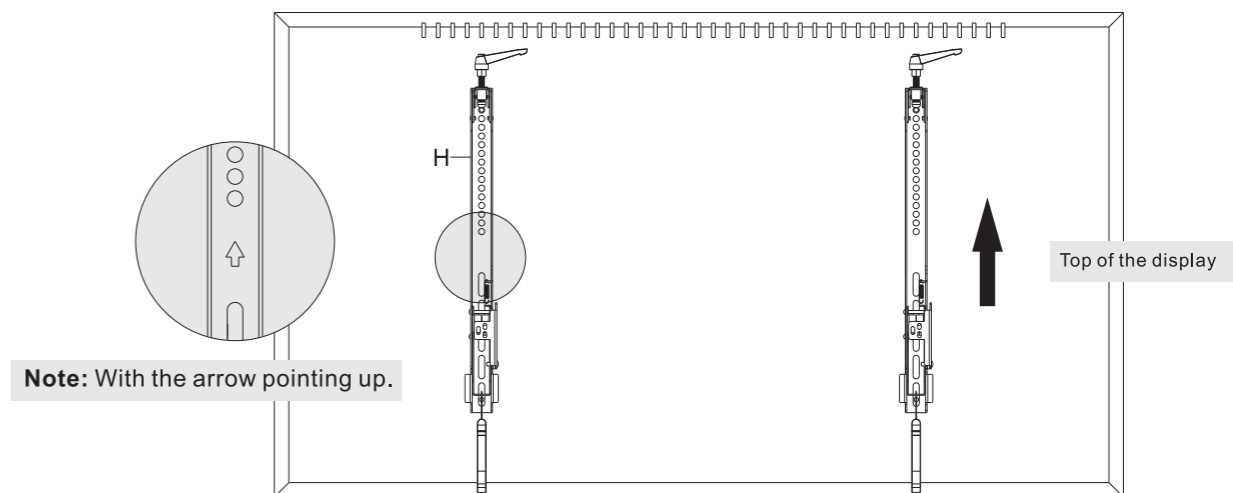


7. Pop-Out Extension

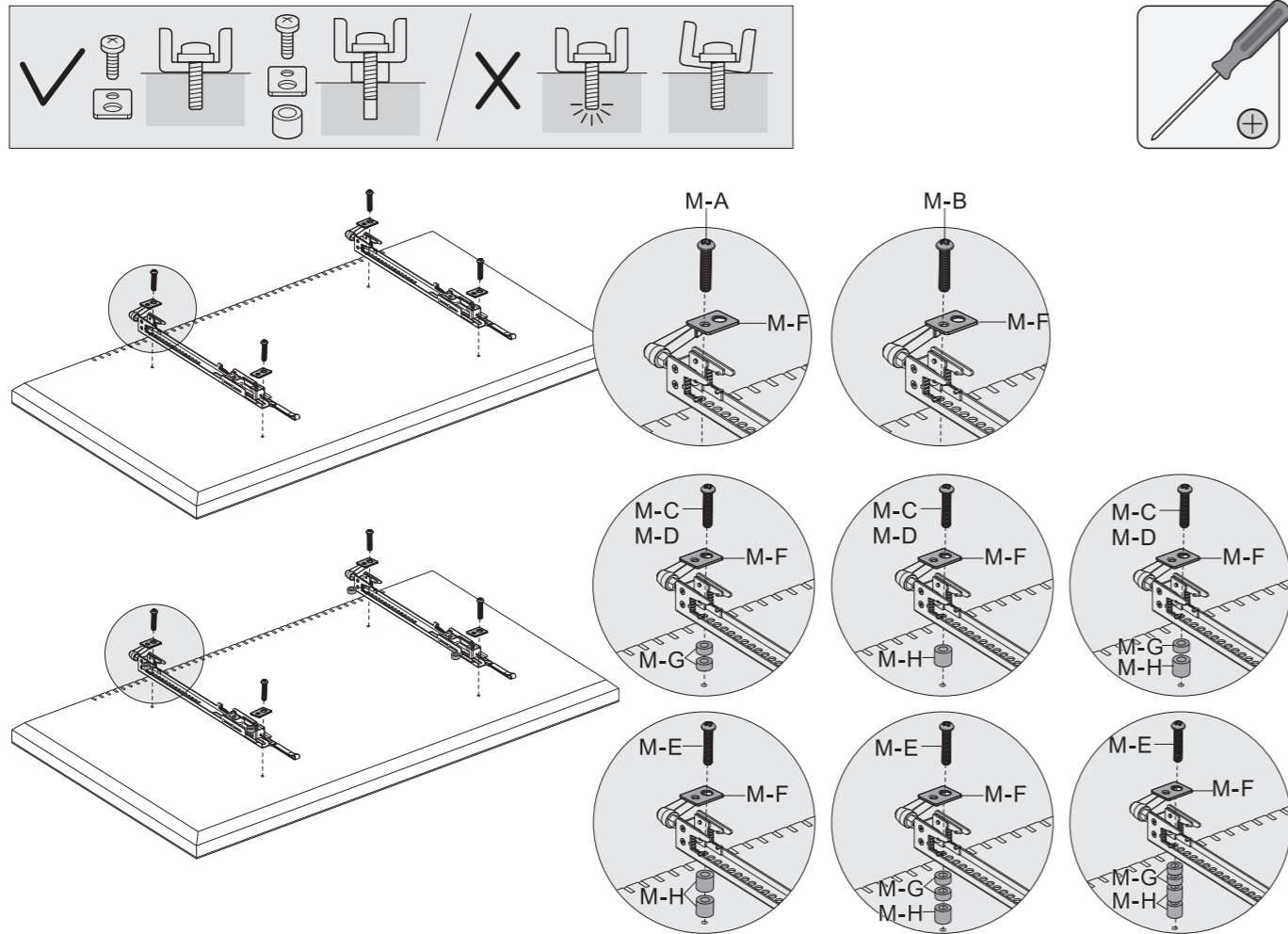
Press the arm with one hand and cut off the belt with another hand.



8. Attach the TV Bracket



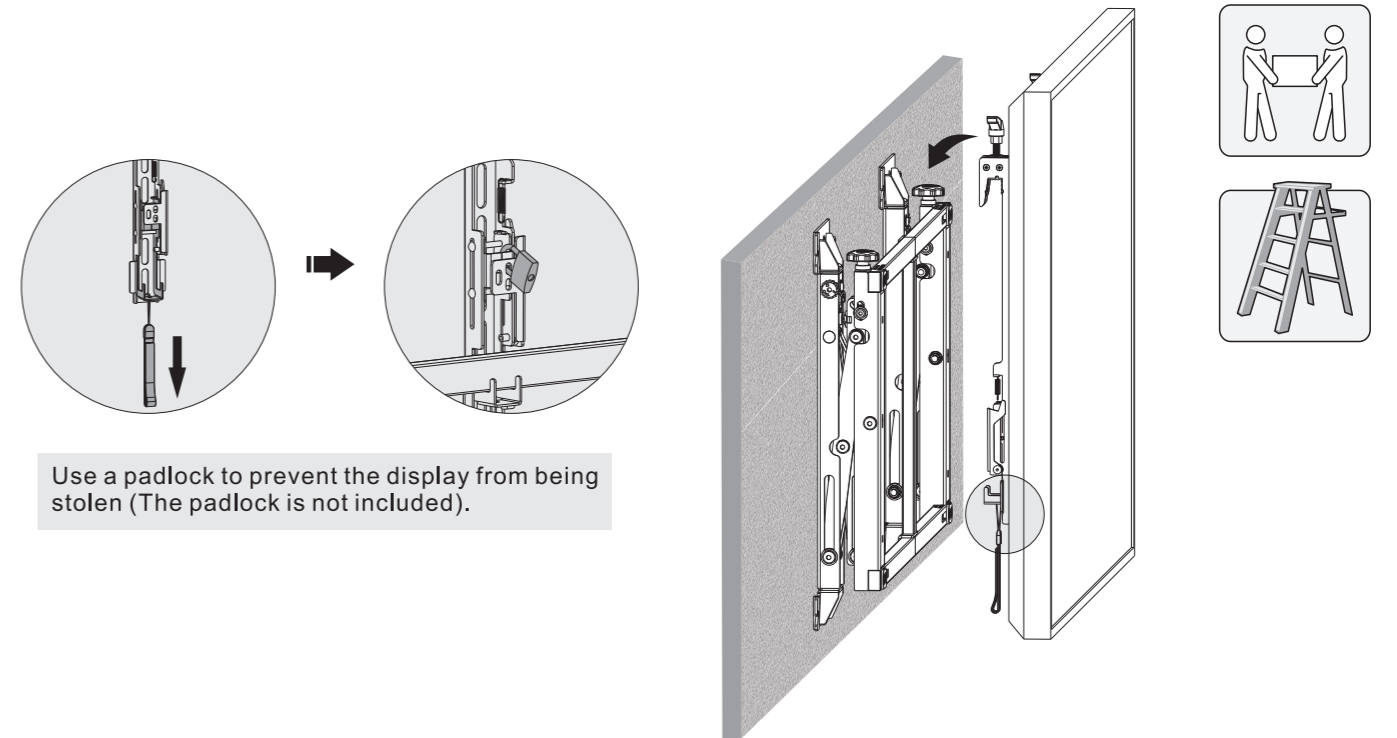
For Flat Back Screens



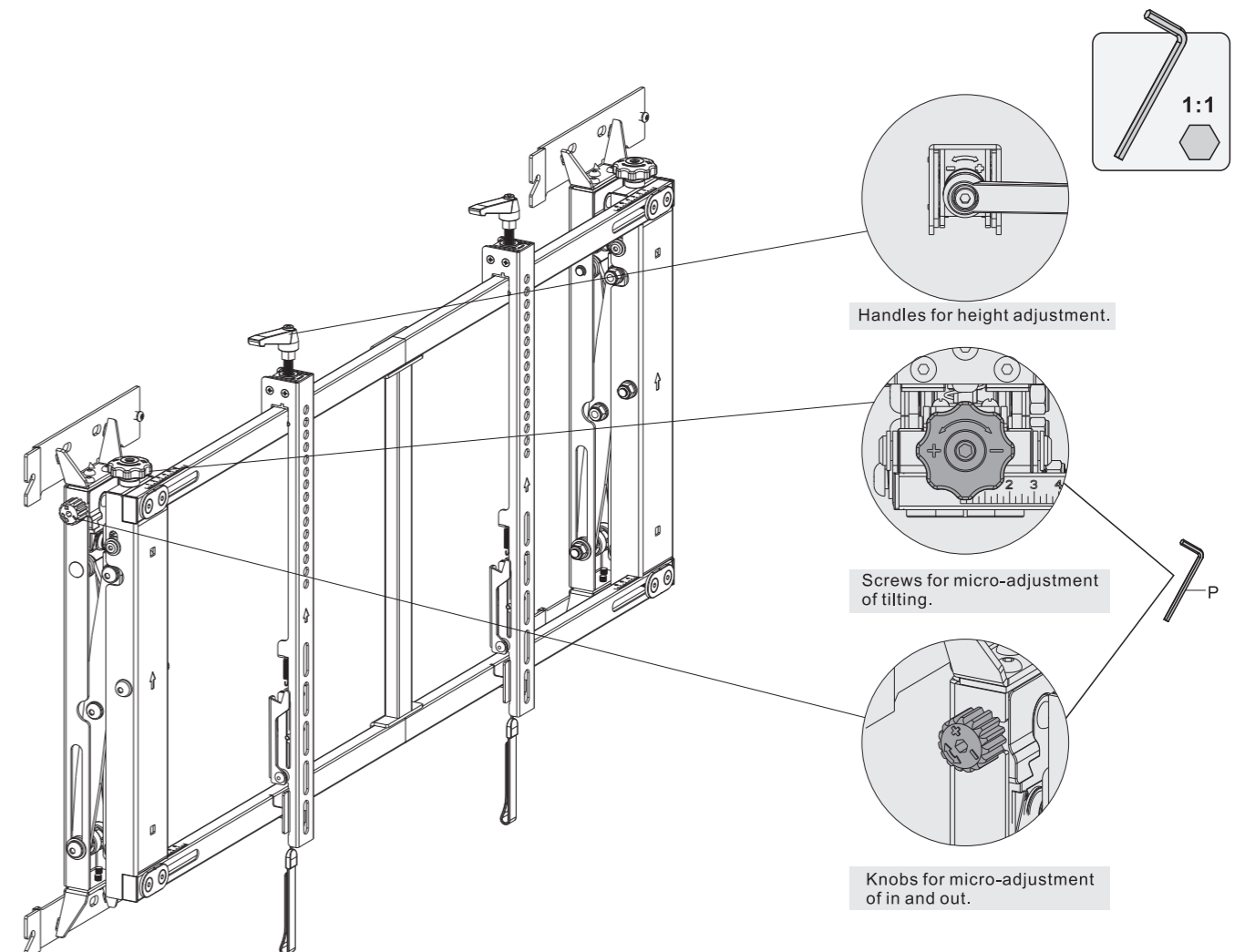
M-A			M-B		
M-C			M-D		
M-E			M-F		
M-G			M-H		

- Choose the appropriate screws, washers and spacers (if necessary) according to the type of screen.
- Center the adapter brackets on the back of the display as shown, and screw the brackets onto the display, being sure to not over-tighten.

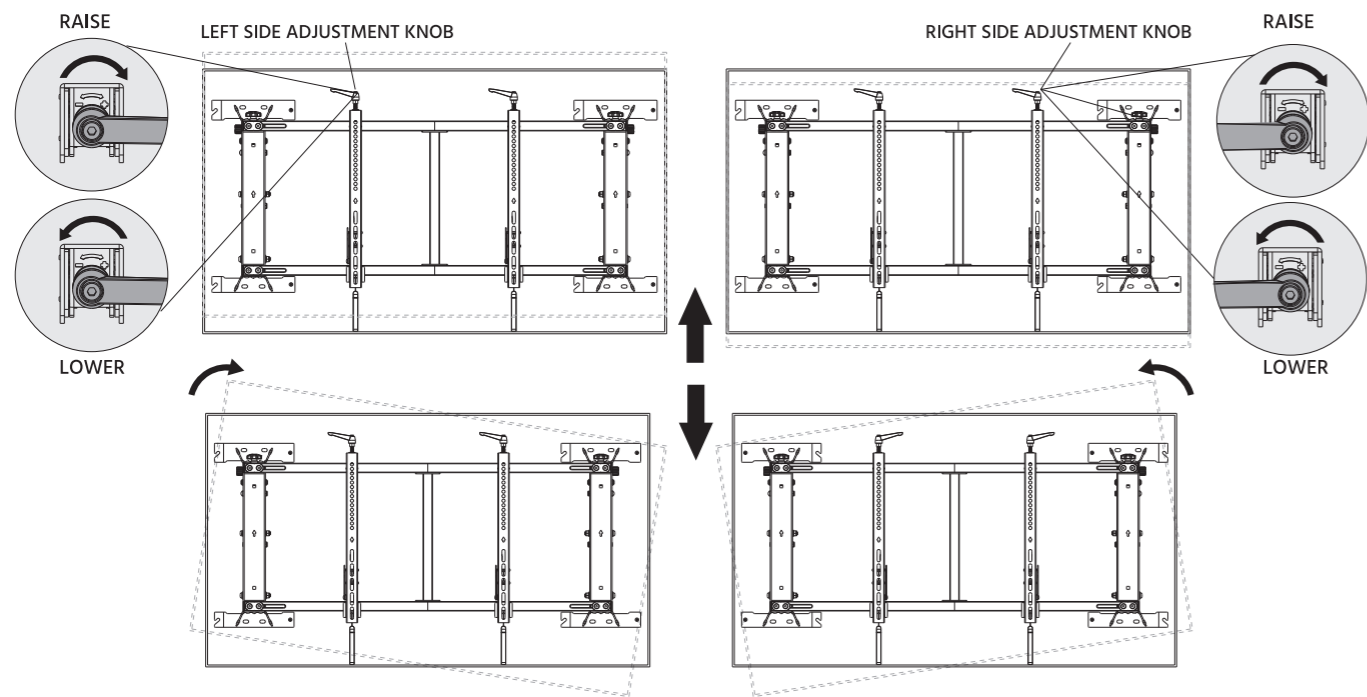
9. Hooking the Display onto the Wall Plate



Micro Adjustment

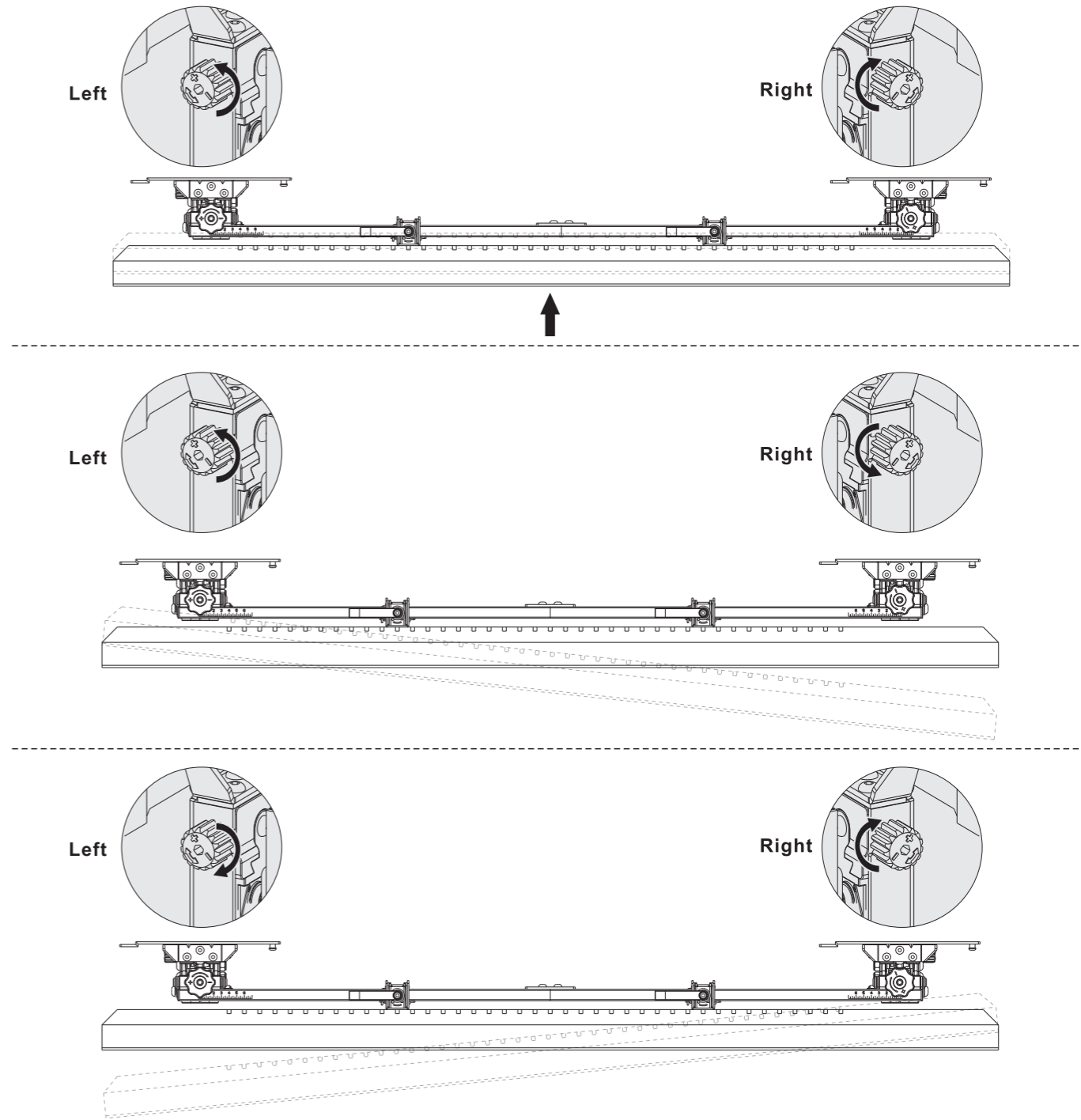


Height and Level Adjustment

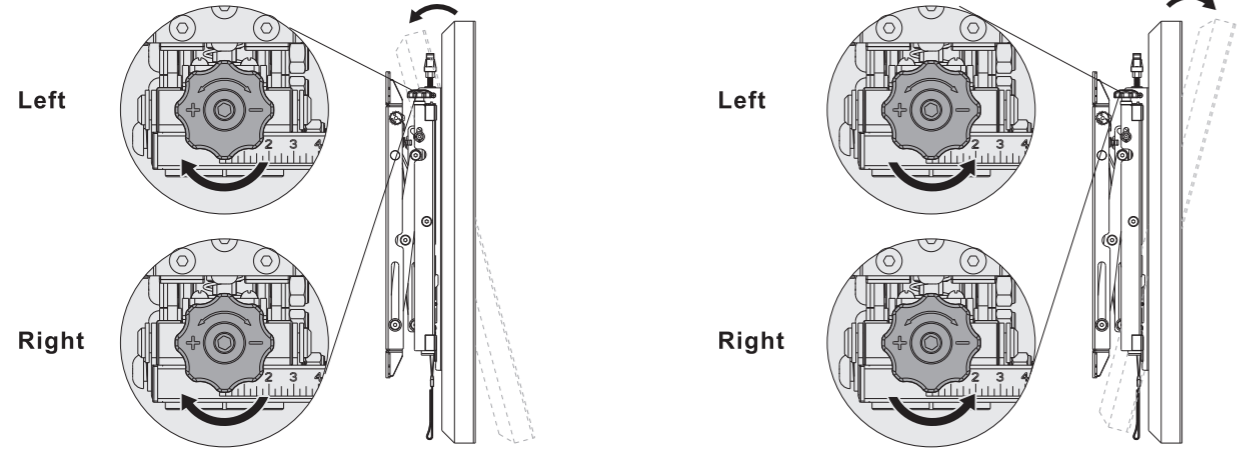


Turn the left and right knobs same amount to lift and lower the mount uniformly.
Turn the knobs individually to lift or lower one side more than the other.

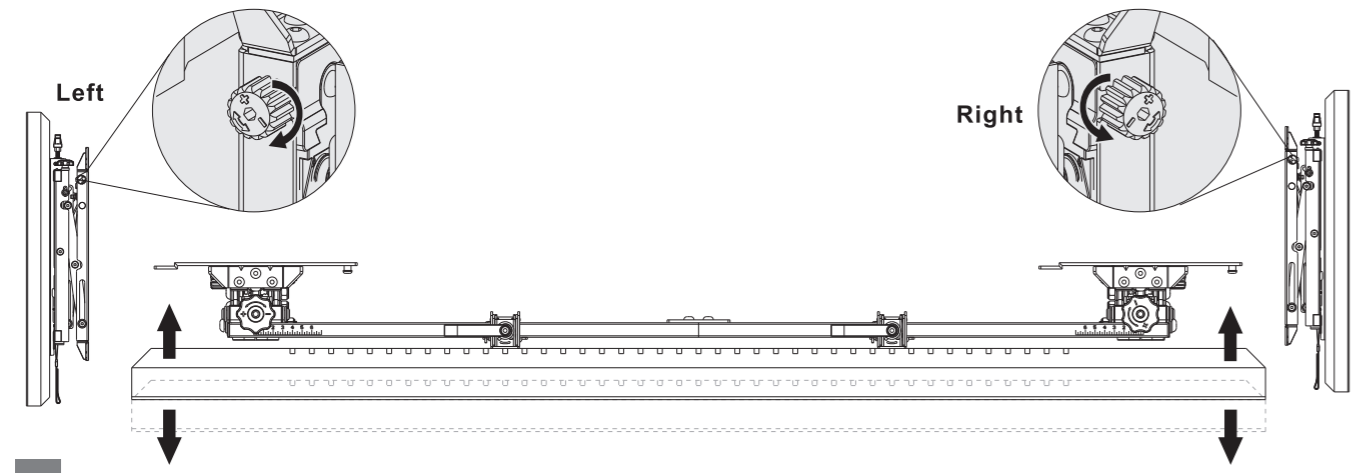
Height and Level Adjustment



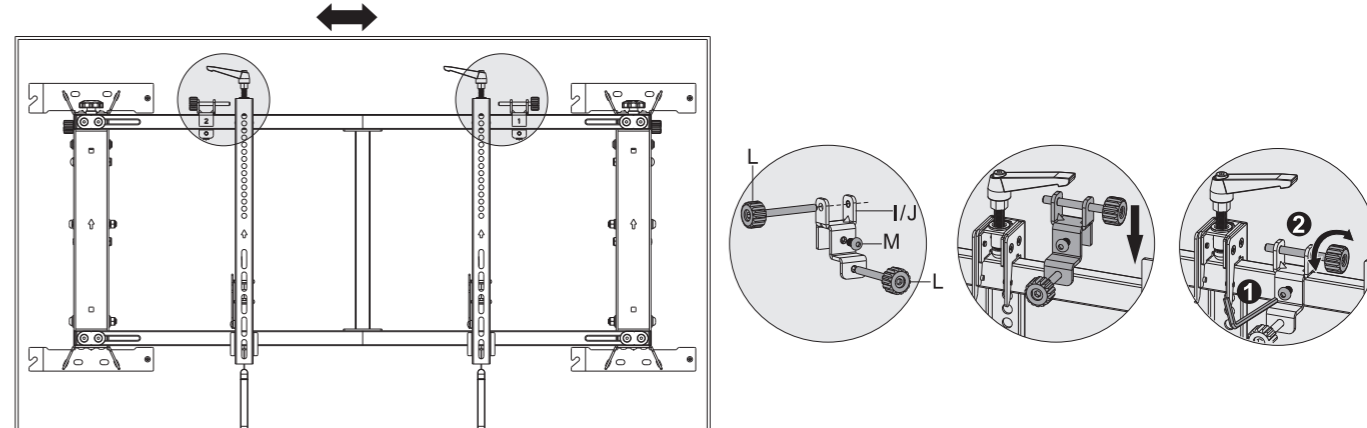
Tilt Adjustment



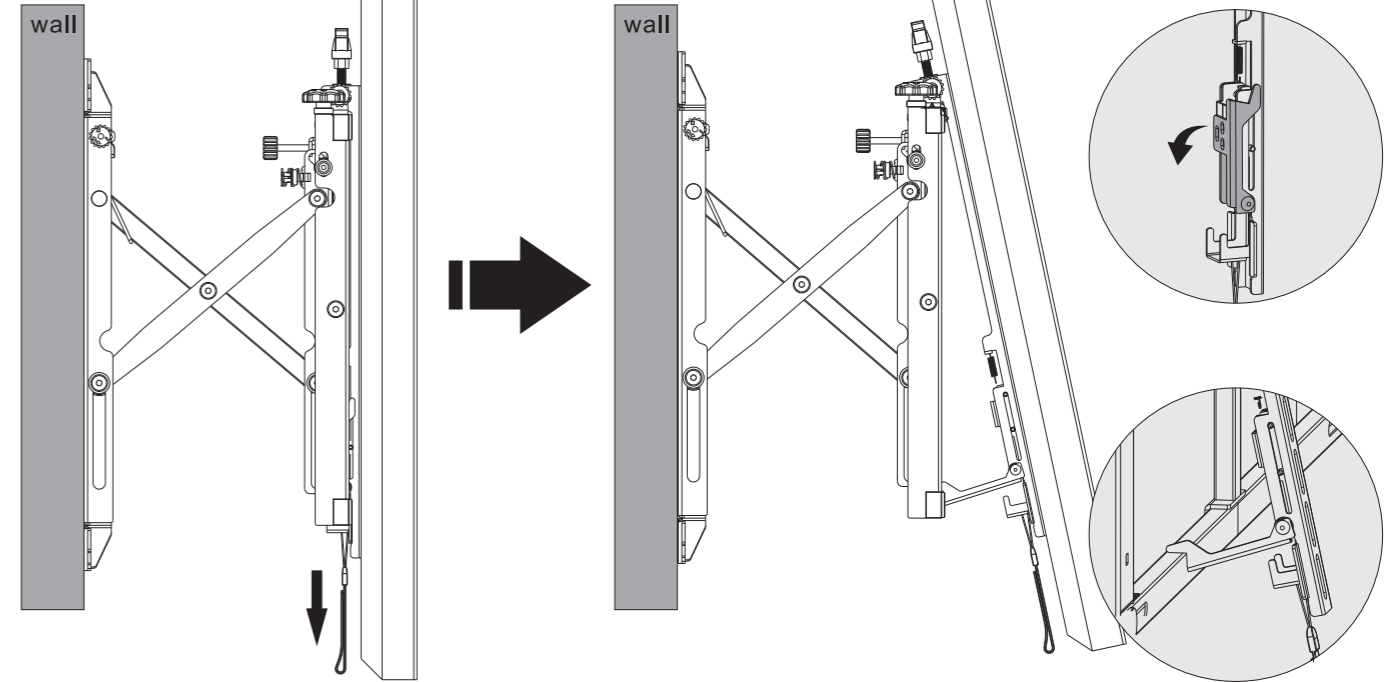
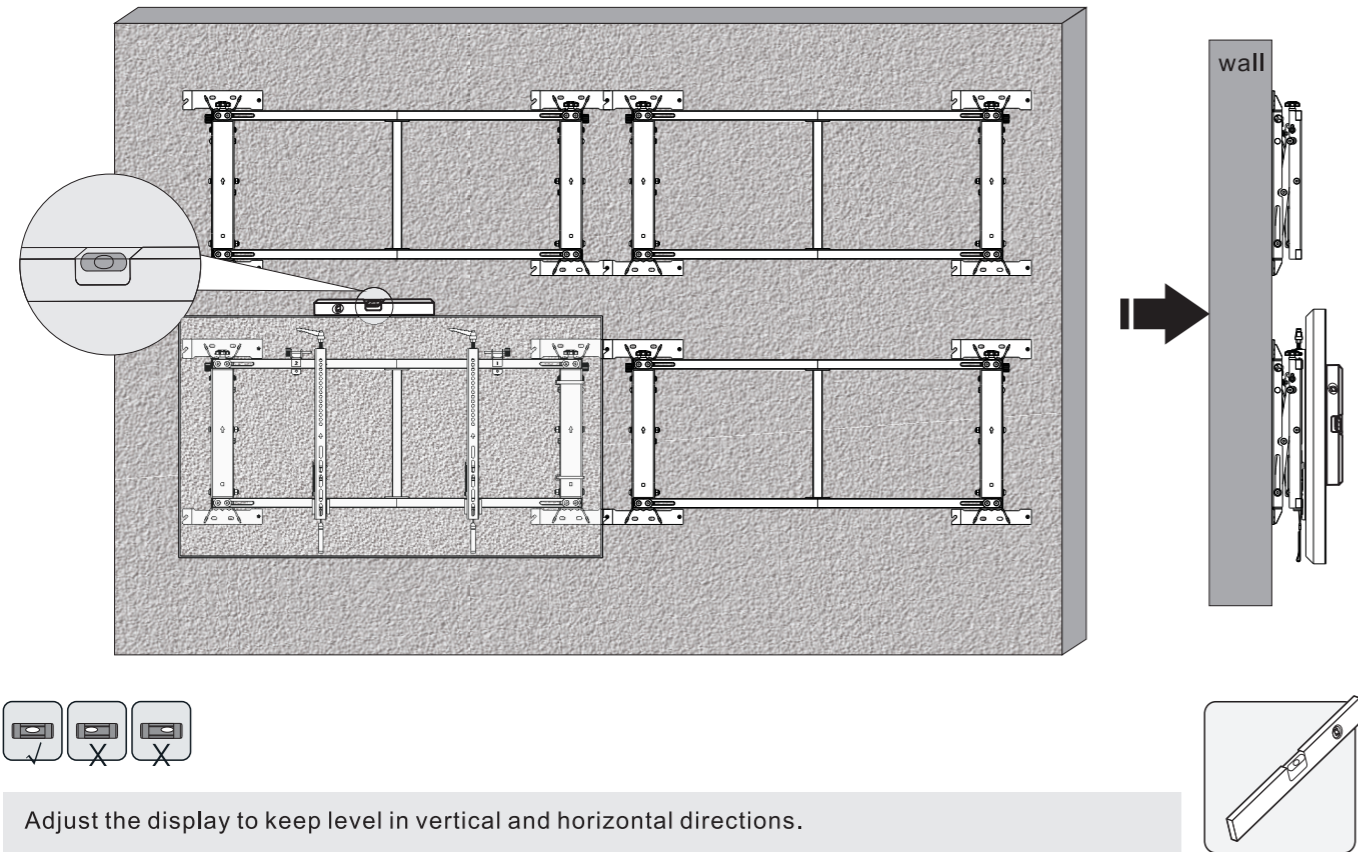
Depth and Swivel Adjustment



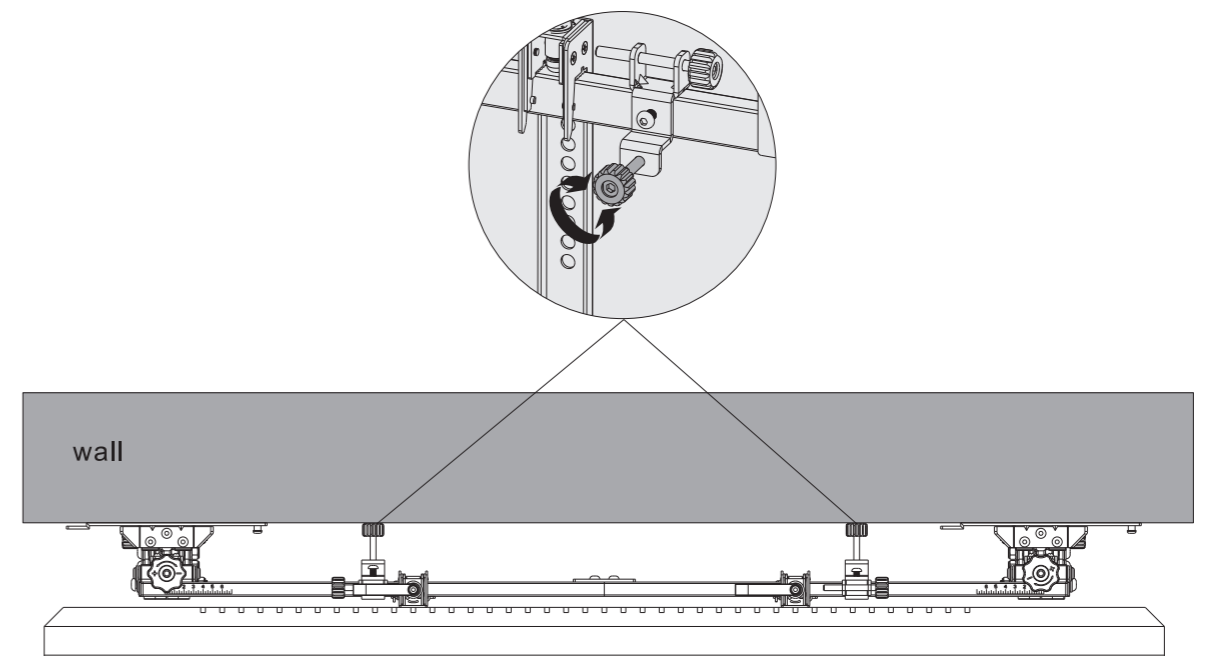
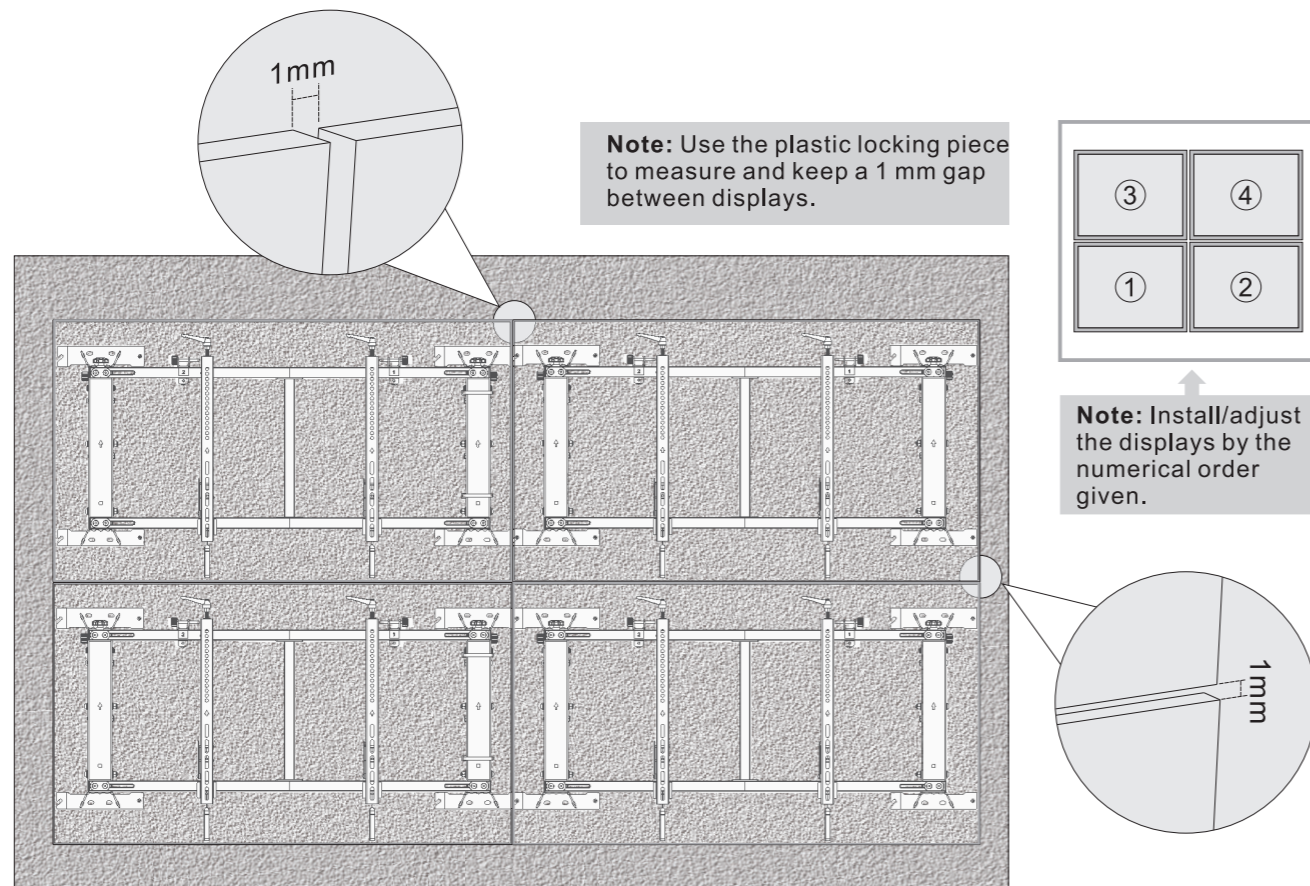
Lateral Shift



10. Level the Displays



Kickstands provide tilt access for easy cable management and maintenance.



Adjust the safety screws adjacent to the wall to prevent accidental pop-outs.