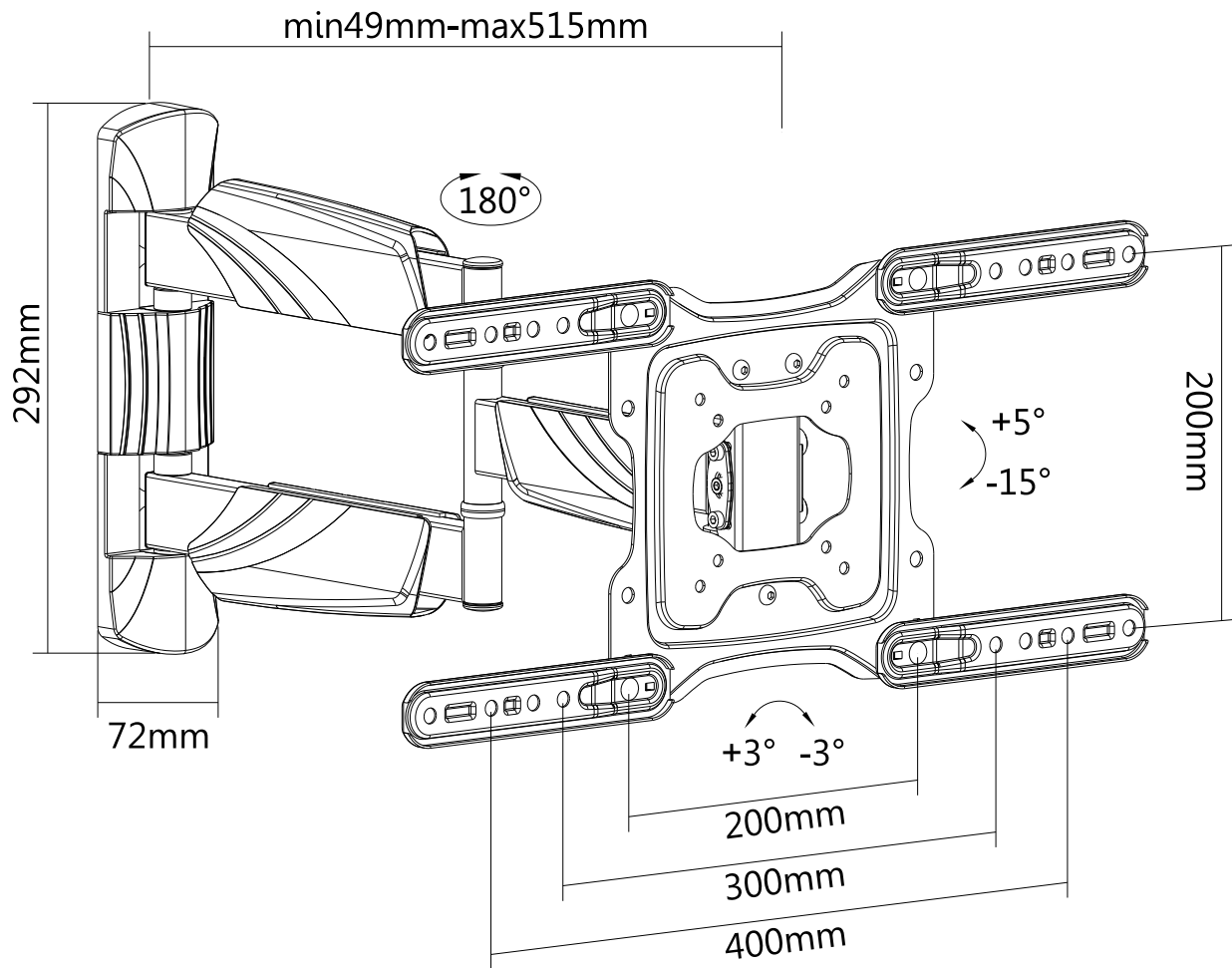


REVISION INFORMATION			
Rev.	Rev. Date	Modified By	Brief Description



	M5x14 (x4)
	M6x14 (x4)
	M6x30 (x4)
	M8x30 (x4)
	M8x50 (x4)
	(x4)
	(x4)
	(x8)
	(x8)
	(x4)
	(x4)
	(x4)

• All of materials satisfy the CA65, ROHS...
 • UL certification required.



GENERAL TOLERANCE		APPROVED BY & DATE :	DESCRIPTION :				
0-6	±0.05	CHECKED BY & DATE :	Select Series Swivel Wall Mount for Medium 24 - 60 inch TVs 77 lbs				
6-18	±0.07		ITEM NO. : 15868				
18-50	±0.10	DESIGNED BY & DATE :	DATE :	REV :	UNIT :	SHEET :	SCALE :
50-120	±0.15		2017/01/10	A01	MM	1 OF 2	1 : 1

NO.	PART NAME	SPECIFICATION DESCRIPTION	QTY	UNIT
③				
②				
①	15868	Select Series Swivel Wall Mount for Medium 24 - 60 inch TVs 77 lbs		